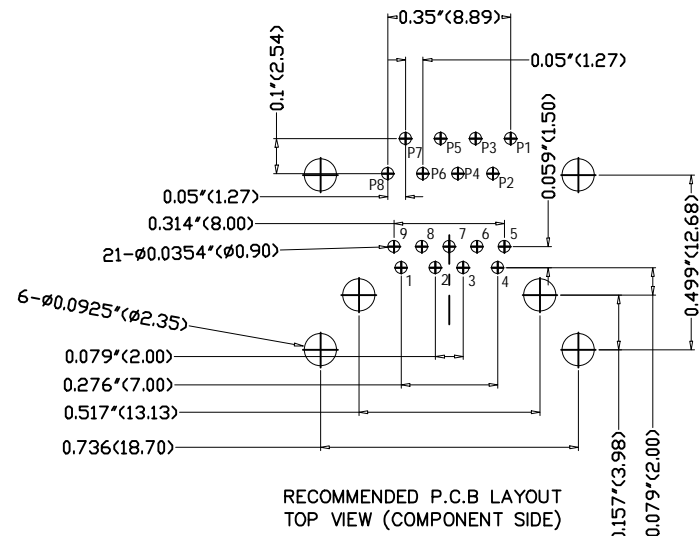
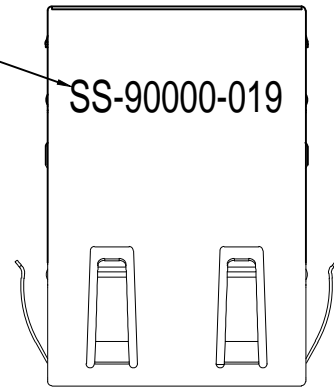


DATE	REV	ECN	APP'D. BY
08-06-24	A0	12413	JME
08-15-24	A1	12421	KAW
10-01-24	A2	12444	KAW

PART NUMBER, LASER ETCHED,  
THIS SURFACE, LOCATION APPROXIMATE

SS-90000-019



NOTES:

1. CONNECTOR MATERIALS:

RJ45 HOUSING: THERMOPLASTIC, BLACK, UL94V-0.  
USB3.0 HOUSING: THERMOPLASTIC, BLUE, UL94V-0.  
INSERT BASE: THERMOPLASTIC BLACK, UL94V-0.

CONTACTS/SHIELD: PHOSPHOR COPPER ALLOY  
PLATING:

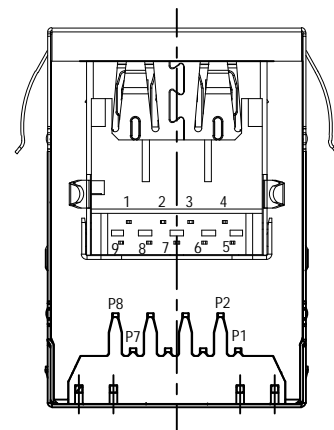
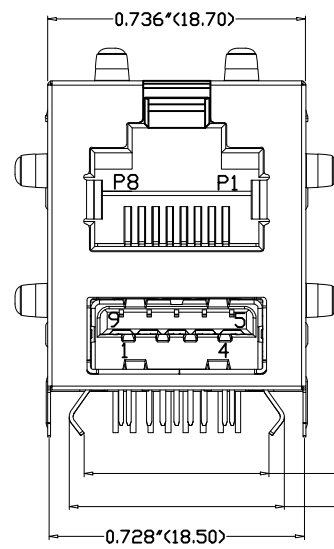
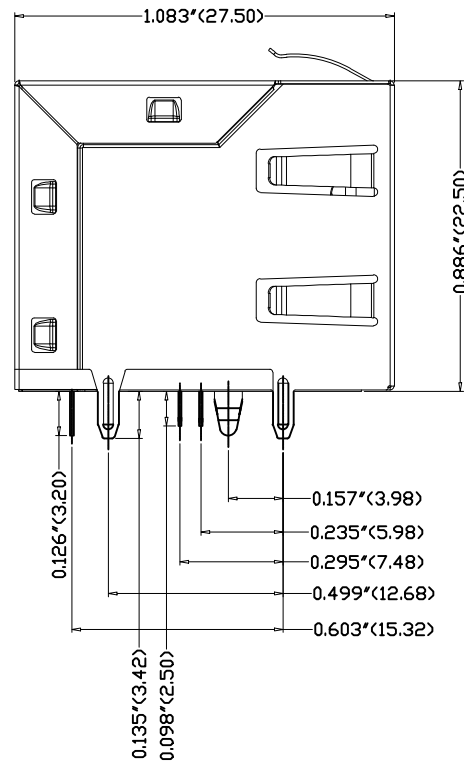
RJ45 TERMINALS: GOLD PLATING FLASH ON CONTACT AREA.  
USB TERMINALS: GOLD PLATING FLASH ON CONTACT AREA.  
CONTACTS/SHIELD:  $T=8\mu\text{IN}$  [0.20 $\mu\text{IN}$ ]  
SHIELD: NICKEL PLATED.

2. ELECTRICAL:

VOLTAGE RATING: 125V AC.  
CURRENT RATING: 1.5A.  
CONTACT RESISTANCE: 50 m $\Omega$  MAX.  
INSULATION RESISTANCE: 500 M $\Omega$  MIN @ 500V DC.  
DIELECTRIC STRENGTH: 1000VDC 50Hz or 60Hz, 1MIN.

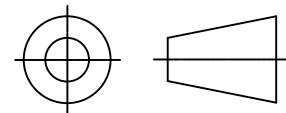
3. ENVIRONMENTAL:

STORAGE: -40°C TO +85°C RELATIVE HUMIDITY <70%  
OPERATION: -40°C TO +85°C  
WAVE SOLDER TIP TEMPERATURE AND TIME: 250°C, 5 SEC.



8 $\mu\text{IN}$ [0.20 $\mu\text{m}$ ]	SS-90000-019
CONTACT PLATING IN MATING AREA	PART NUMBER

THIRD ANGLE PROJECTION



DO NOT SCALE DRAWING

DRAWING IS SUBJECT TO  
CHANGE WITHOUT NOTICE

DIMENSIONS: INCHES [METRIC]

SHEET NO. 1 OF 1



11118 Susquehanna Trail South  
Glen Rock, PA 17327-9199  
(717) 235-7512

<http://www.stewartconnector.com>

TITLE:  
RJ45 OVER USB 3.0 TYPE-A STACKED PASSIVE JACK

THIS DRAWING AND THE SUBJECT MATTER SHOWN THEREON  
ARE CONFIDENTIAL AND THE PROPRIETARY PROPERTY OF  
STEWART CONNECTOR AND SHALL NOT BE REPRODUCED,  
COPIED, OR USED IN ANY MANNER WITHOUT PRIOR WRITTEN  
CONSENT OF STEWART CONNECTOR. ONE OR MORE U.S. PATENTS  
MAY APPLY TO THIS PRODUCT. FOR DETAILS, PLEASE  
VISIT: [HTTP://BELFUSE.COM/STEWART/STEWART\\_PATENTS/](http://BELFUSE.COM/STEWART/STEWART_PATENTS/)

DRN BY: J.JUVERA DATE 08/06/24

APPD BY: J.ENGLISH DATE 08/06/24

DWG NO. CT900019 REV. A2

RoHS



TOLERANCES UNLESS OTHERWISE NOTED  
X.XX ±0.01 [0.30]  
X.XXX ±0.009 [0.25]  
X.XXXX ±0.0059 [0.15]  
ANGLES ± 1°