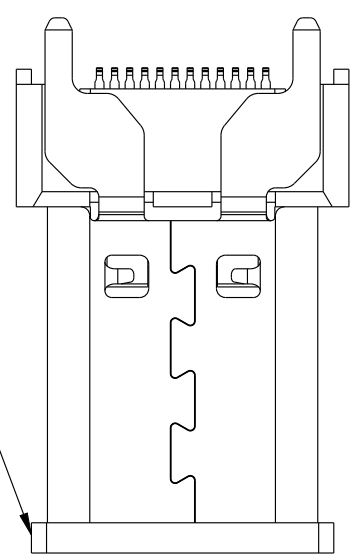
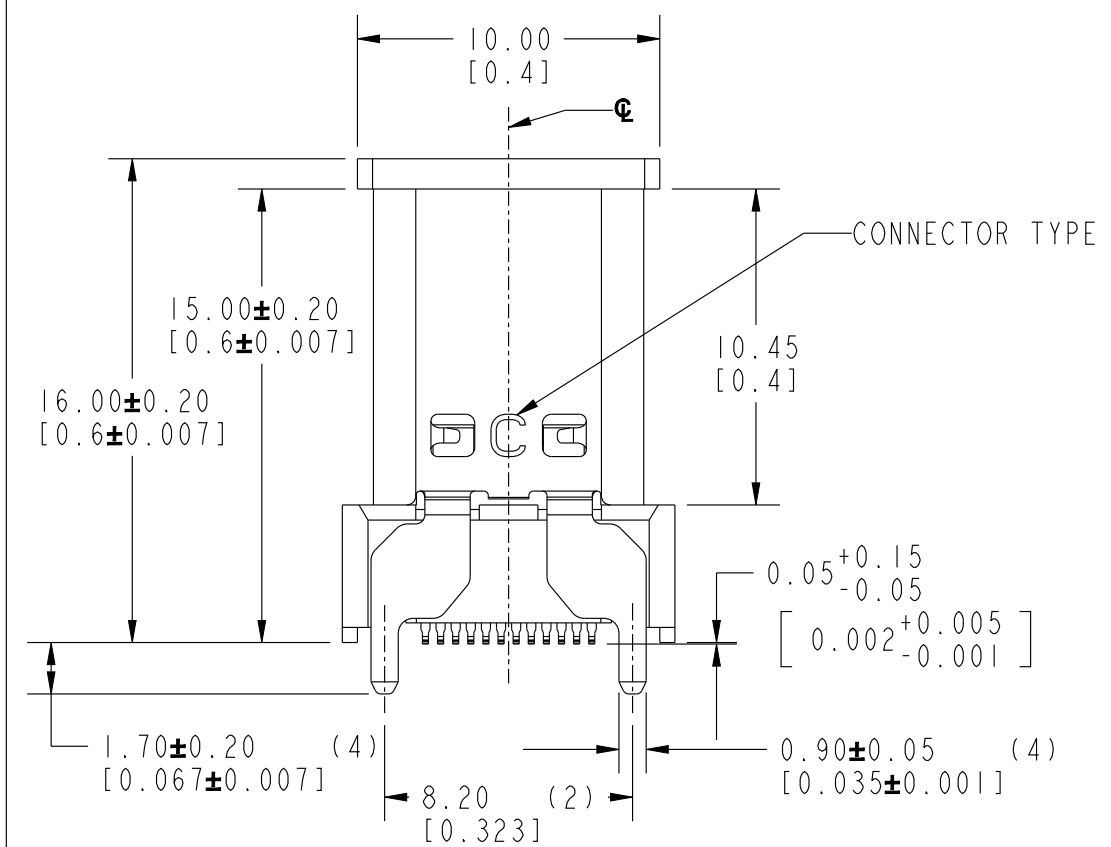
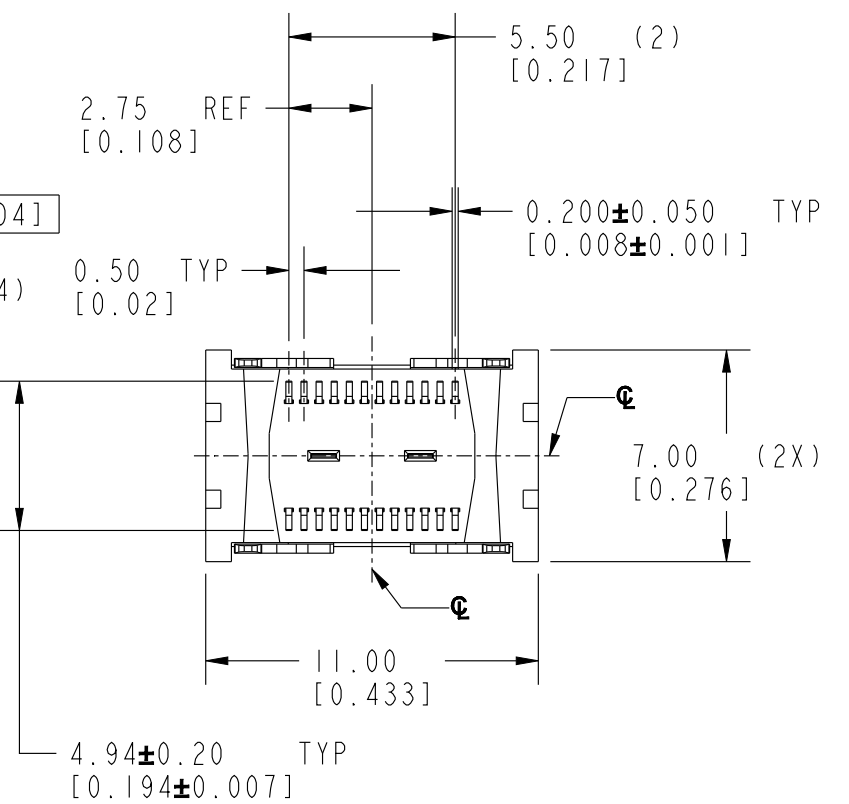
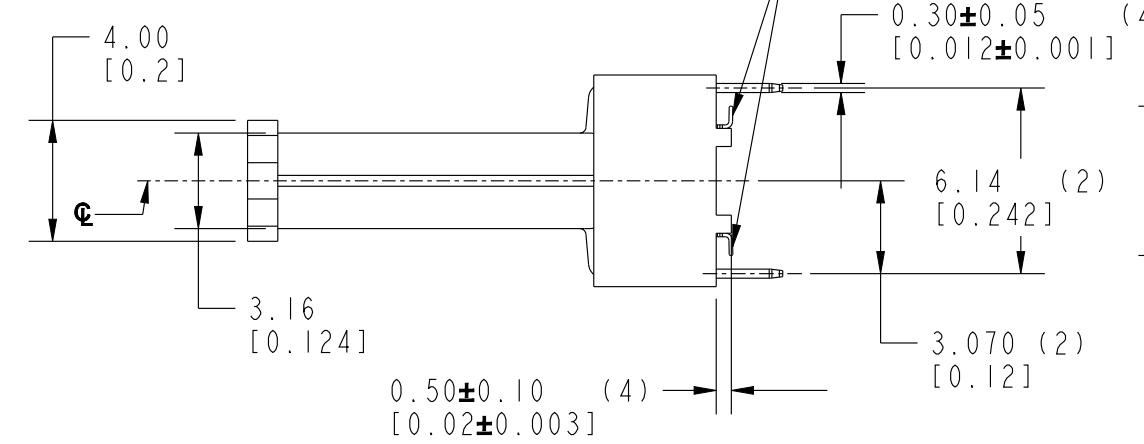
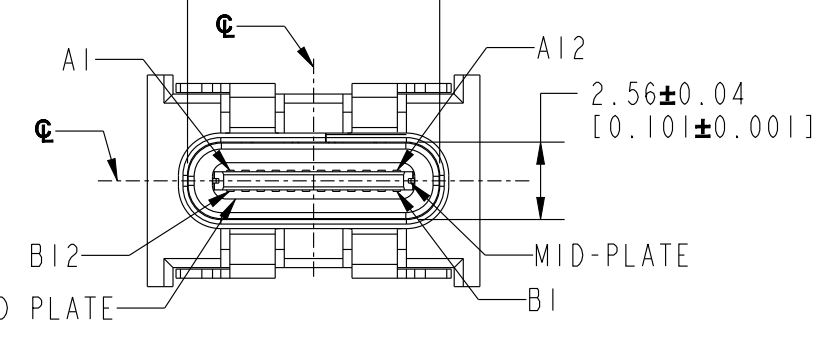


DATE	REV.	ECN	APP'D BY
04-12-24	A0	12340	KAW

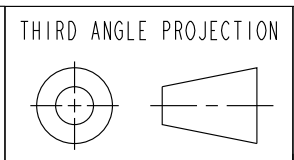
PIN ASSIGNMENTS					
PIN	SIGNAL	MATING SEQUENCE	PIN	SIGNAL	MATING SEQUENCE
A1	GND	FIRST	B12	GND	FIRST
A2	SSTXp1	SECOND	B11	SSRXp1	SECOND
A3	SSTXn1	SECOND	B10	SSRXn1	SECOND
A4	V _{BUS}	FIRST	B9	V _{BUS}	FIRST
A5	CC1	SECOND	B8	SBU2	SECOND
A6	Dp1	SECOND	B7	Dn2	SECOND
A7	Dn1	SECOND	B6	Dp2	SECOND
A8	SBU1	SECOND	B5	CC2	SECOND
A9	V _{BUS}	FIRST	B4	V _{BUS}	FIRST
A10	SSRXn2	SECOND	B3	SSTXn2	SECOND
A11	SSRXp2	SECOND	B2	SSTXp2	SECOND
A12	GND	FIRST	B1	GND	FIRST
SHELL	GND		SHELL	GND	



8.34^{+0.06}_{-0.02}
[0.328^{+0.002}_{-0.000}]



UNLESS OTHERWISE SPECIFIED
TOLERANCES ARE:
ANGLES ± 1°
X. ± 0.38
X.X ± 0.25
X.XX ± 0.15



stewart
CONNECTOR
a bel group

11118 Susquehanna Trail South
Glen Rock, PA 17327-9199
(717) 235-7512
<http://www.stewartconnector.com>

DO NOT SCALE DRAWING
DRAWING IS SUBJECT TO
CHANGE WITHOUT NOTICE

DIMENSIONS: METRIC [INCHES]

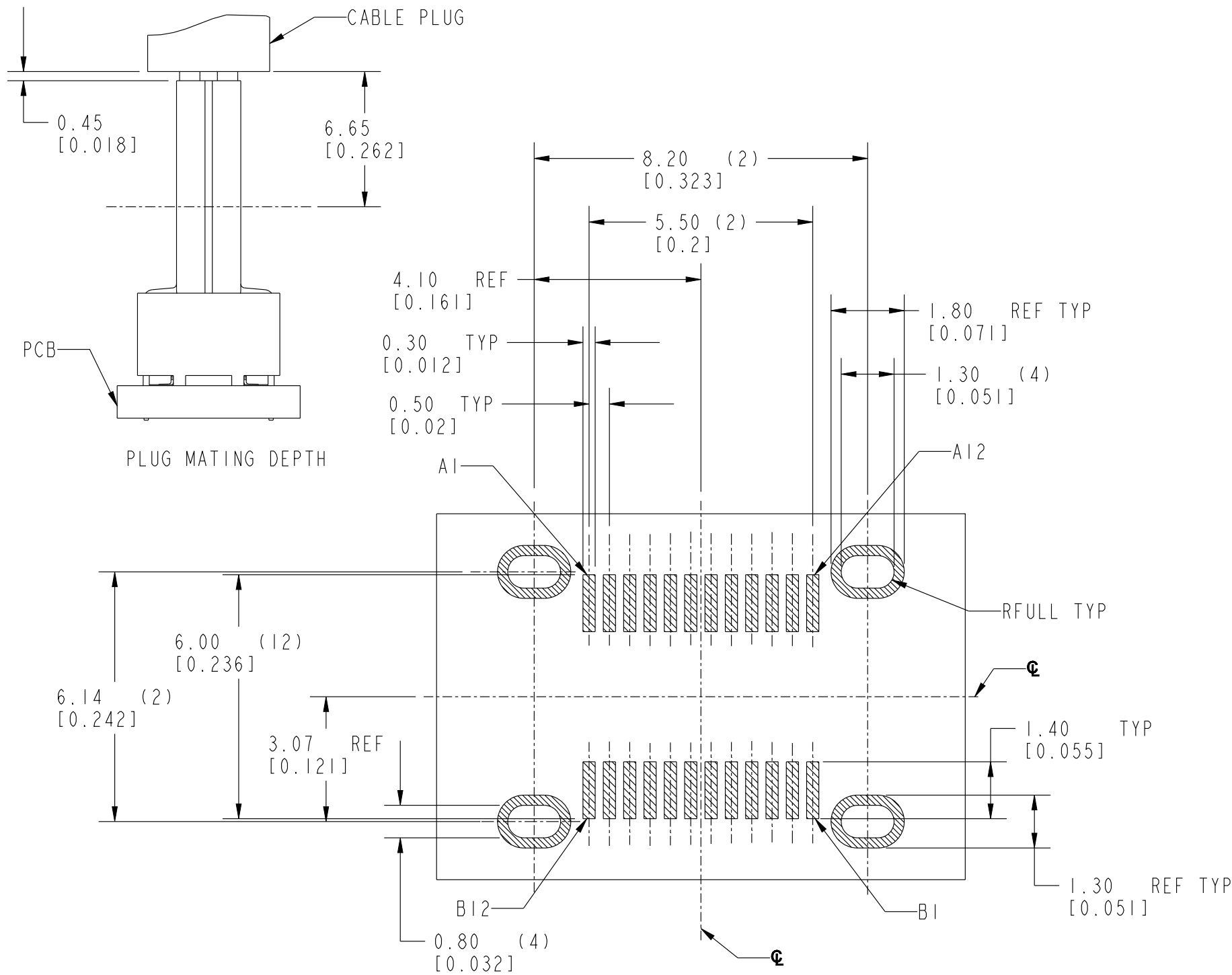
SHEET NO.
1 OF 2

TITLE: USB TYPE-C 4.0 VERTICAL SMT CONNECTOR

THIS DRAWING AND THE SUBJECT MATTER SHOWN THEREON ARE CONFIDENTIAL AND THE PROPRIETARY PROPERTY OF STEWART CONNECTOR AND SHALL NOT BE REPRODUCED, COPIED, OR USED IN ANY MANNER WITHOUT PRIOR WRITTEN CONSENT OF STEWART CONNECTOR. ONE OR MORE U.S. PATENTS MAY APPLY TO THIS PRODUCT. FOR DETAILS, PLEASE VISIT: [HTTP://BELFUSE.COM/STEWART/STEWART_PATENTS/](http://BELFUSE.COM/STEWART/STEWART_PATENTS/)

DRN BY:	KAW	DATE	04-11-24
APPD BY:	GWL	DATE	04-12-24
DWG. NO.	CT520017	REV.	A0





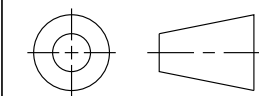
NOTES:

- CONNECTOR MATERIALS
 HOUSING: HIGH TEMPERATURE THERMOPLASTIC, UL94 V-0, BLACK
 COVER: HIGH TEMPERATURE THERMOPLASTIC, UL94 V-0, BLACK
 CONTACTS: COPPER ALLOY
 PLATING:
 CONTACT AREA: 30μ" GOLD OVER 50μ" MIN. NICKEL
 SOLDER AREA: MATTE TIN OVER 30μ" MIN. NICKEL
 SHELL: STAINLESS STEEL, 30μ" NICKEL PLATED
 MID-PLATE/GND PLATE: STAINLESS STEEL
- ELECTRICAL
 OPERATING VOLTAGE: 20V
 CURRENT RATING: 5.0A FOR V_{BUS} PINS
 1.25A FOR CC1 AND CC2 PINS
 0.25A FOR SIGNAL PINS
 DIELECTRIC WITHSTANDING VOLTAGE: 100VAC MIN.
 INSULATION RESISTANCE: 100MΩ MIN. @ 100VDC
 CONTACT RESISTANCE: 40mΩ MAX.
- ENVIRONMENTAL
 OPERATING TEMPERATURE: -40°C TO +85°C
 MATING CYCLES: 10,000 INSERTIONS

RECOMMENDED PCB LAYOUT
 TOLERANCE: ±0.05 [0.002]
 SCALE 8.000
 ▨ = KEEP-OUT ZONES

UNLESS OTHERWISE SPECIFIED
 TOLERANCES ARE:
 ANGLES ± 1°
 X. ± 0.38
 X.X ± 0.25
 X.XX ± 0.15

THIRD ANGLE PROJECTION



11118 Susquehanna Trail South
 Glen Rock, PA 17327-9199
 (717) 235-7512
<http://www.stewartconnector.com>

DO NOT SCALE DRAWING

DRAWING IS SUBJECT TO CHANGE WITHOUT NOTICE

DIMENSIONS: METRIC [INCHES]

SHEET NO. 2 OF 2

TITLE: USB TYPE-C 4.0 VERTICAL SMT CONNECTOR

THIS DRAWING AND THE SUBJECT MATTER SHOWN THEREON ARE CONFIDENTIAL AND THE PROPRIETARY PROPERTY OF STEWART CONNECTOR AND SHALL NOT BE REPRODUCED, COPIED, OR USED IN ANY MANNER WITHOUT PRIOR WRITTEN CONSENT OF STEWART CONNECTOR. ONE OR MORE U.S. PATENTS MAY APPLY TO THIS PRODUCT. FOR DETAILS, PLEASE VISIT: [HTTP://BELFUSE.COM/STEWART/STEWART_PATENTS/](http://BELFUSE.COM/STEWART/STEWART_PATENTS/)

DRN BY:	KAW	DATE	04-11-24
APPD BY:	GWL	DATE	04-12-24
DWG. NO.	CT520017	REV.	A0

