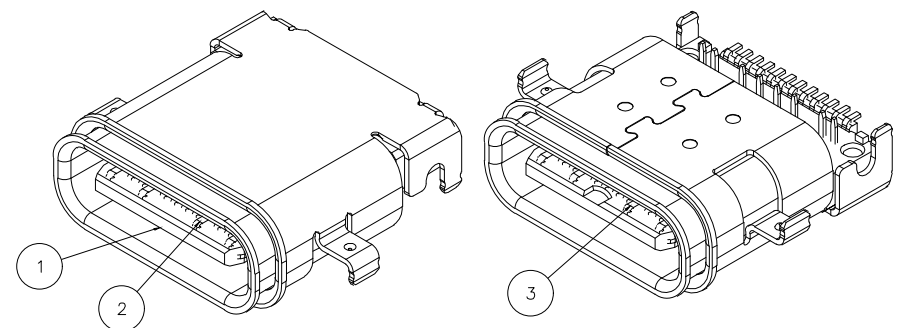


Pin	Signal Name	Mating Sequence	Pin	Signal Name	Mating Sequence
A1	GND	First	B12	GND	First
A2	SSTXp1	Second	B11	SSRXp1	Second
A3	SSTXn1	Second	B10	SSRXn1	Second
A4	Vbus	First	B9	Vbus	First
A5	CC1	Second	B8	SBU2	Second
A6	Dp1	Second	B7	Dn2	Second
A7	Dn1	Second	B6	Dp2	Second
A8	SBU1	Second	B5	CC2	Second
A9	Vbus	First	B4	Vbus	First
A10	SSRXn2	Second	B3	SSTXn2	Second
A11	SSRXp2	Second	B2	SSTXp2	Second
A12	GND	First	B1	GND	First
SHELL	GND		SHELL	GND	

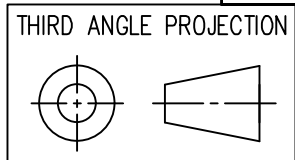
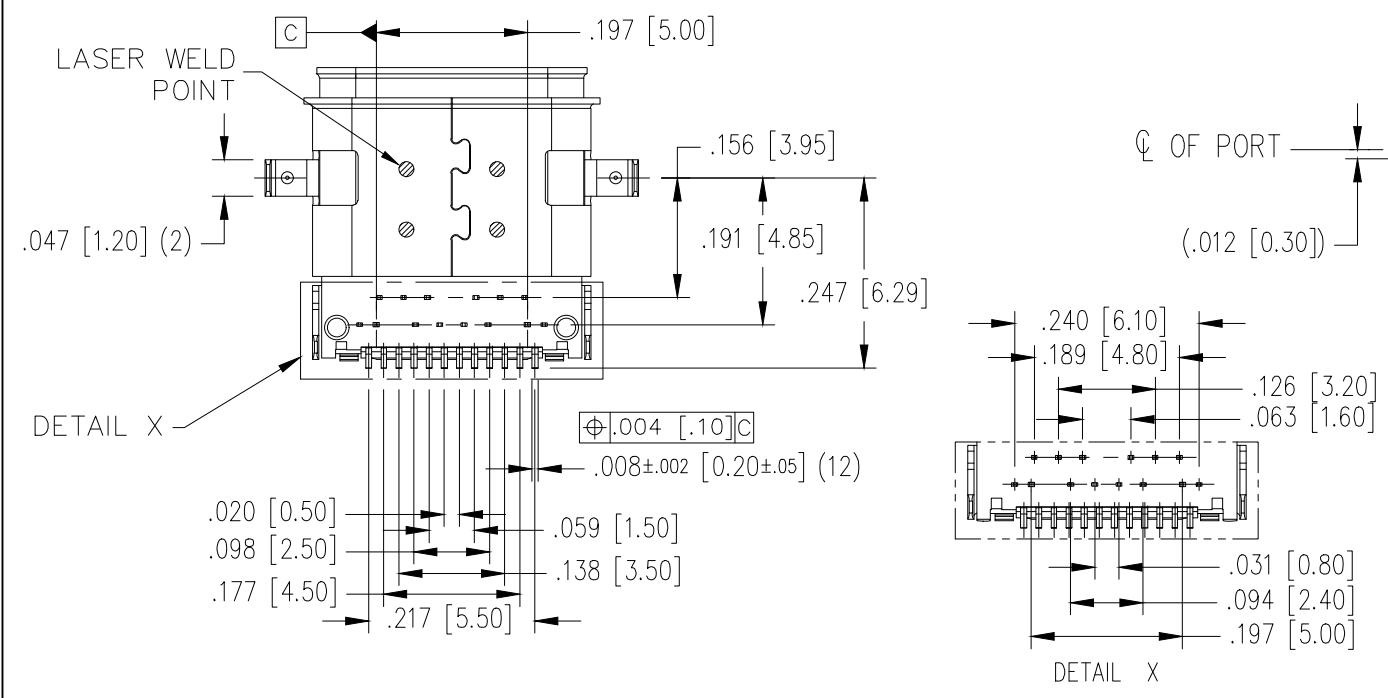
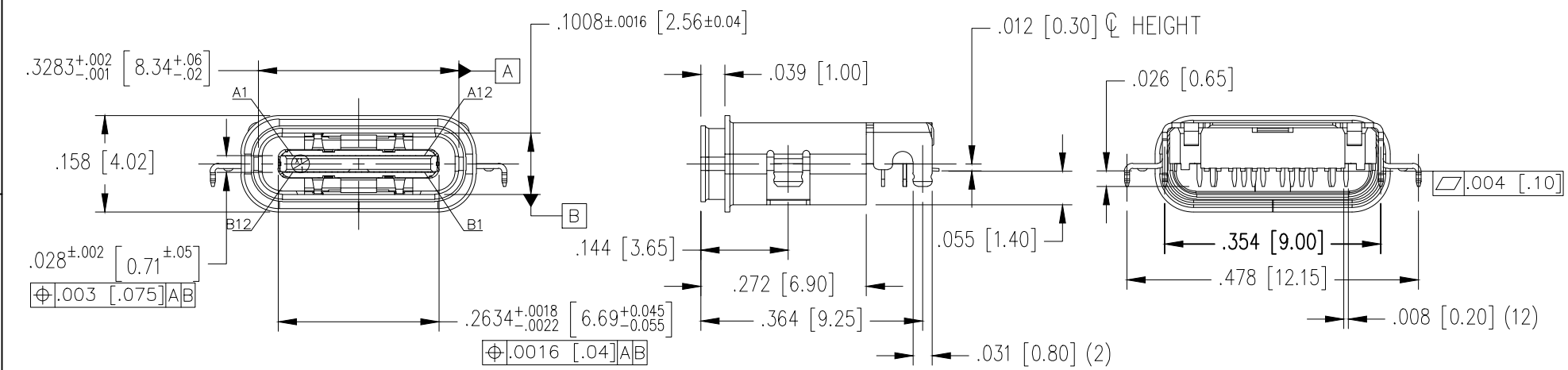
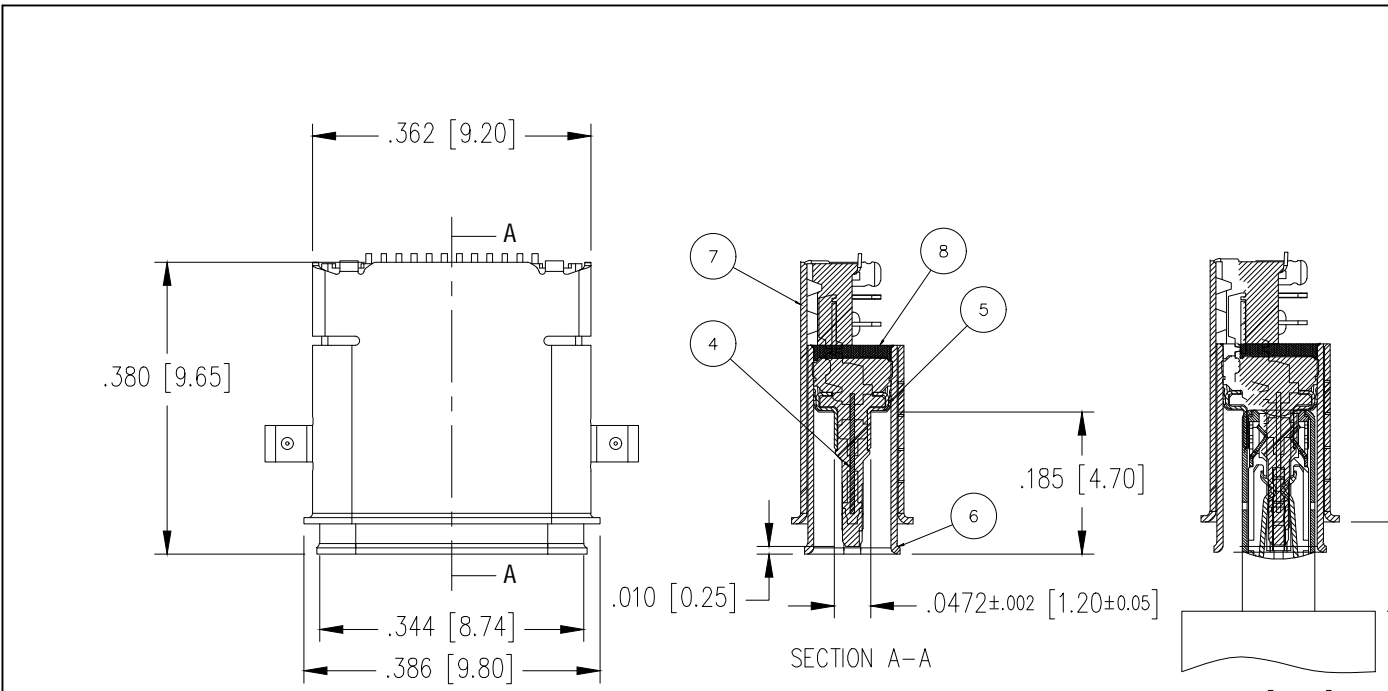
DATE	REV	ECN	APP'D. BY
01/05/21	A0	-	AB
04/11/24	A1	12348	KAW

- NOTES:
- CONNECTOR MATERIALS:
    - SEE CHART
  - ELECTRICAL CHARACTERISTIC:
    - LOW LEVEL CONTACT RESISTANCE: INITIAL: 40 mΩ MAX., AFTER 50 mΩ MAX
    - DIELECTRIC WITHSTANDING VOLTAGE: 100 VAC FOR ONE MINUTE AT SEA LEVEL
    - INSULATION RESISTANCE: 100 MΩ MINIMUM AT 250VDC.
    - CURRENT RATING: 5A (VBUS PIN 1.5A/PIN), 5A (GND PIN 1.25A/PIN MAX) 0.25A/PIN (OTHER PIN)
  - MECHANICAL CHARACTERISTICS:
    - MATING FORCE 5-20N
    - UN-MATING FORCE 8-20N, 6-20N (AFTER 10,000 CYCLES)
    - DURABILITY 10,000 CYCLES
    - OPERATING TEMPERATURE: -40°C TO 85°C
  - ENVIRONMENTAL:
    - IPX7: CAN BE SUBMERGED UP TO 1 METER IN WATER FOR 30 MINUTES.



ITEM	QTY	NAME	MATERIAL	FINISH
8	1	REAR SEAL	EPOXY	BLACK
7	1	OUTER SHIELD	STAINLESS STEEL	Ni
6	1	INNER SHIELD	STAINLESS STEEL	Ni
5	1	GROUND PLATE	STAINLESS STEEL	Ni
4	1	MID-PLATE	STAINLESS STEEL	NONE
3	12	TERMINAL B	COPPER ALLOY	15u" Au CONTACT AREA TIN SOLDER TAILS
2	12	TERMINAL A	COPPER ALLOY	15u" Au CONTACT AREA TIN SOLDER TAILS
1	1	HOUSING	THERMAL PLASTIC UL94 V-0	BLACK

PART NUMBER SS-52400-004



1118 Susquehanna Trail South  
Glen Rock, PA 17327-9199  
(717) 235-7512  
<http://www.stewartconnector.com>

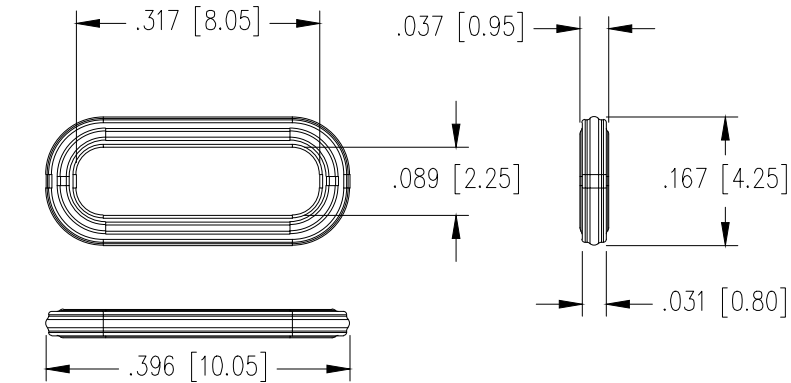
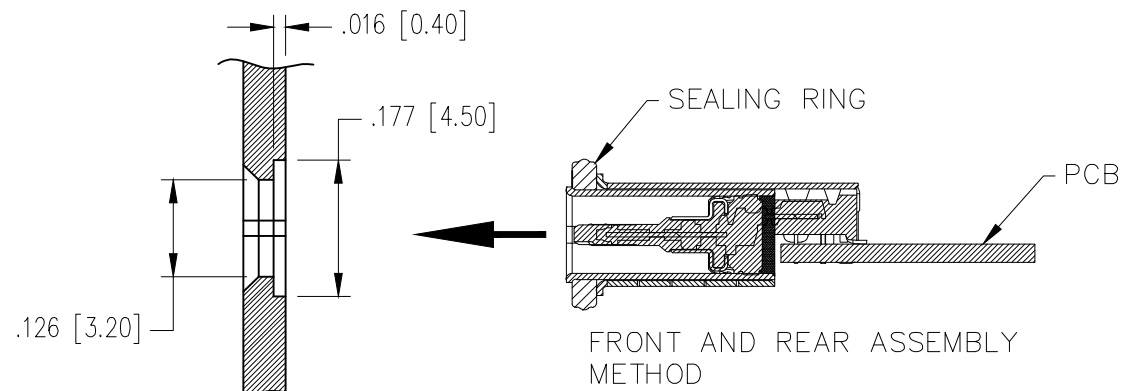
DO NOT SCALE DRAWING  
DRAWING IS SUBJECT TO CHANGE WITHOUT NOTICE  
DIMENSIONS: INCHES [METRIC]  
UNLESS OTHERWISE SPECIFIED TOLERANCES ARE ±.008 [0.2] ANGLES ARE ± 1°  
SHEET NO. 1 OF 2

TITLE: USB 3.1 TYPE C WATERPROOF DIP TYPE  
CL HEIGHT FROM PCB .012" .30mm  
THIS DRAWING AND THE SUBJECT MATTER SHOWN THEREON ARE CONFIDENTIAL AND THE PROPRIETARY PROPERTY OF STEWART CONNECTOR AND SHALL NOT BE REPRODUCED, COPIED, OR USED IN ANY MANNER WITHOUT PRIOR WRITTEN CONSENT OF STEWART CONNECTOR. ONE OR MORE U.S. PATENTS MAY APPLY TO THIS PRODUCT. FOR DETAILS, PLEASE VISIT: [HTTP://BELFUSE.COM/STEWART/STEWART\\_PATENTS/](http://BELFUSE.COM/STEWART/STEWART_PATENTS/)

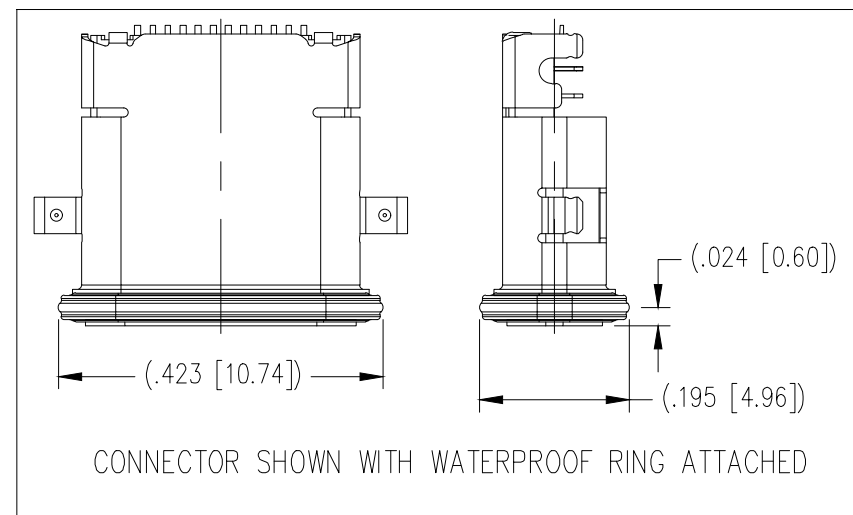
DRN BY:	GWL	DATE	01/04/21
APPD BY:	AB	DATE	01/05/21
DWG NO.	CT520013	REV.	A1



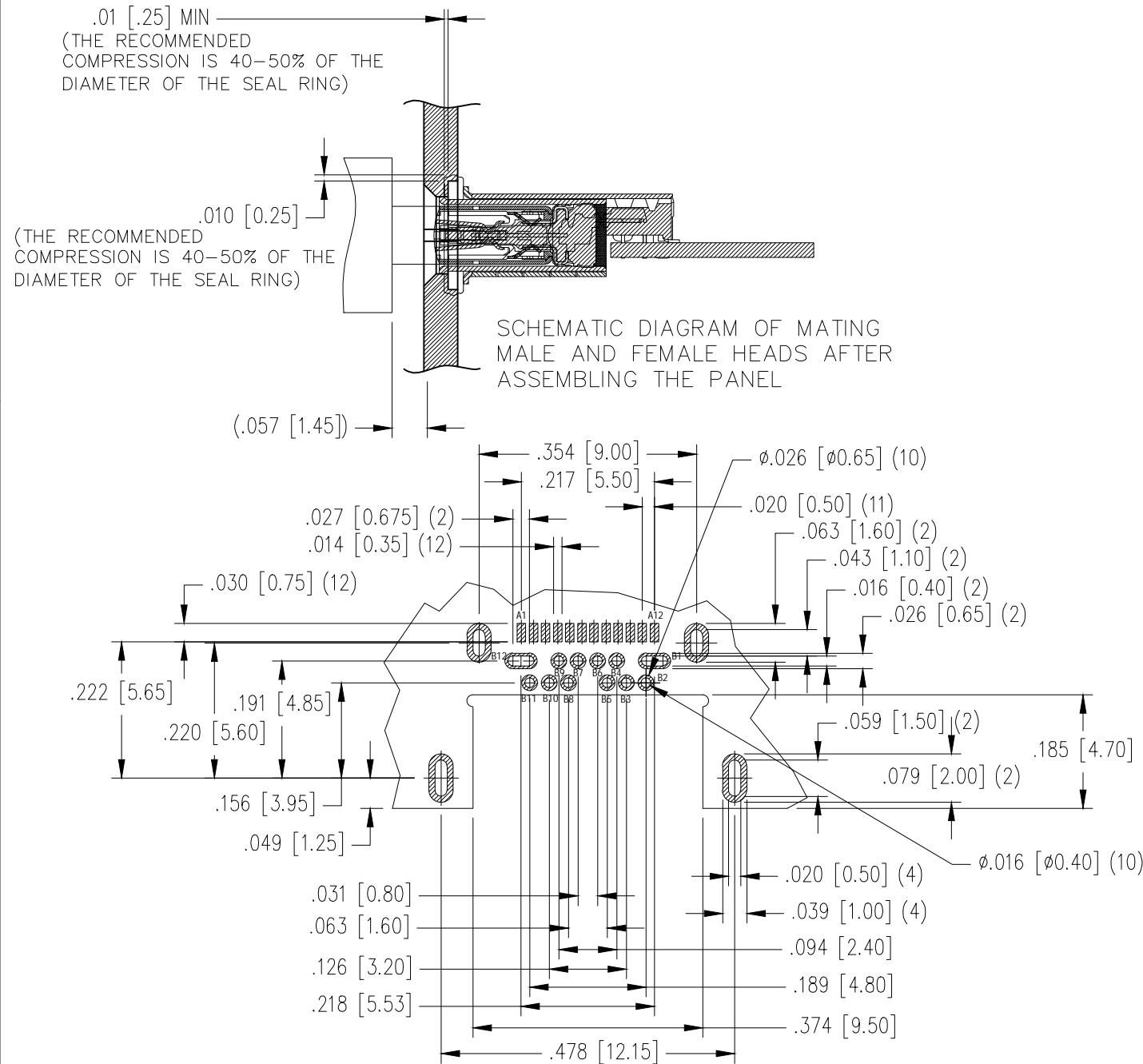
SUGGESTED SEALING METHOD



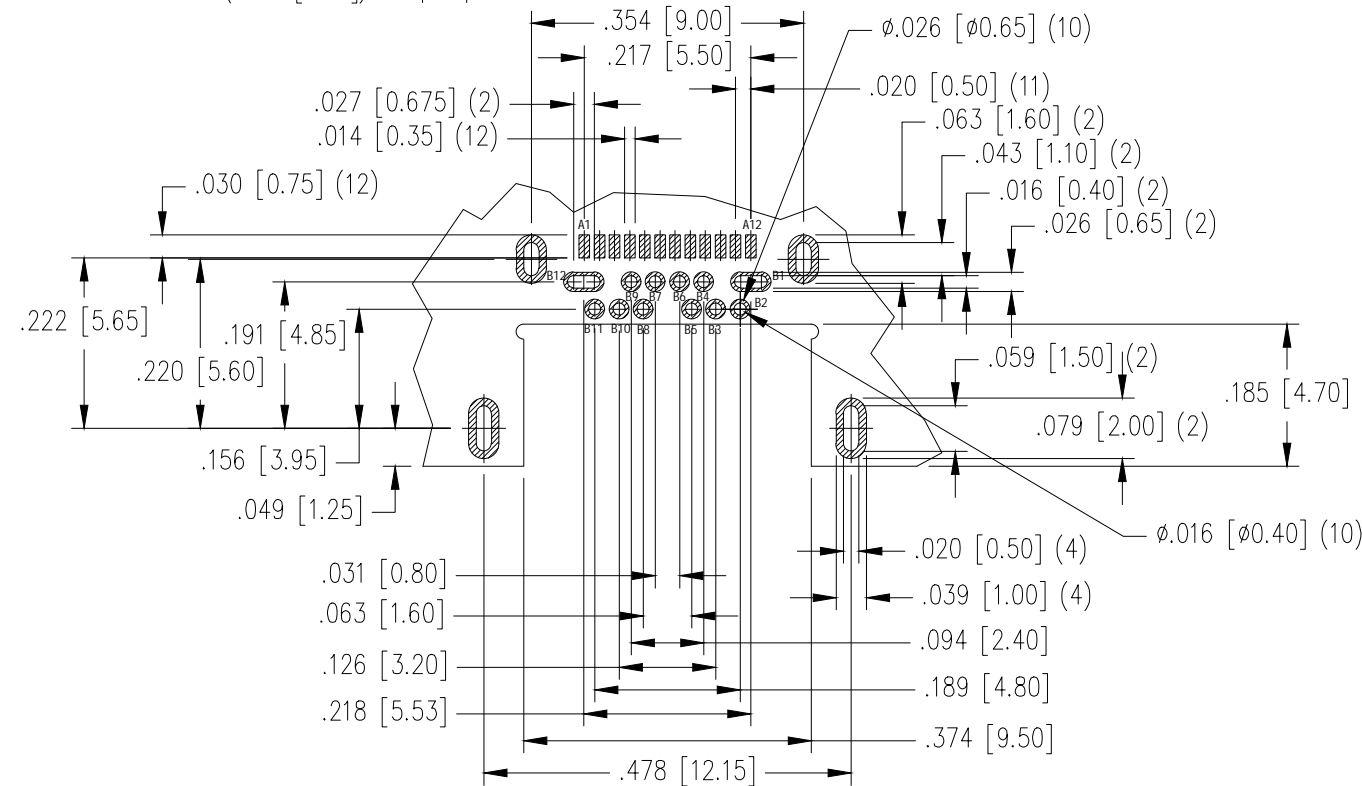
RECOMMENDED WATERPROOF RING SPECIFICATIONS  
(MATERIAL SILICONE RUBBER)



CONNECTOR SHOWN WITH WATERPROOF RING ATTACHED



SCHEMATIC DIAGRAM OF MATING  
MALE AND FEMALE HEADS AFTER  
ASSEMBLING THE PANEL



RECOMMENDED P.C.B LAYOUT(Both sides are sample)  
Tolerance:±.002 [0.05], Thickness=.024 [0.60mm]



THIRD ANGLE PROJECTION		 1118 Susquehanna Trail South Glen Rock, PA 17327-9199 (717) 235-7512 <a href="http://www.stewartconnector.com">http://www.stewartconnector.com</a>
		
DO NOT SCALE DRAWING DRAWING IS SUBJECT TO CHANGE WITHOUT NOTICE		TITLE: USB 3.1 TYPE C WATERPROOF DIP TYPE CL HEIGHT FROM PCB .012" .30MM
DIMENSIONS: INCHES [METRIC]		DRN BY: GWL DATE 01/04/21
UNLESS OTHERWISE SPECIFIED TOLERANCES ARE ±.008 [0.2] ANGLES ARE ± 1°		APPD BY: AB DATE 01/25/21
SHEET NO. 2 OF 2		DWG NO. CT520013 REV. A1