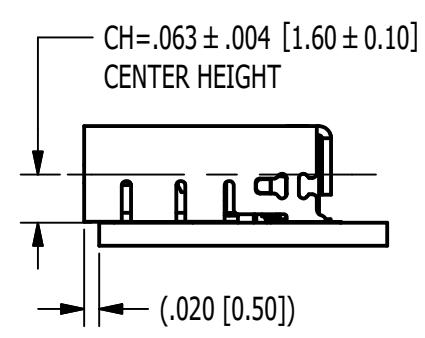
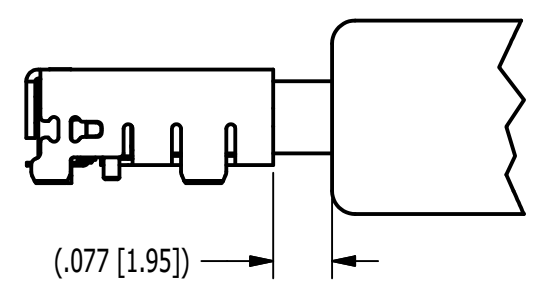
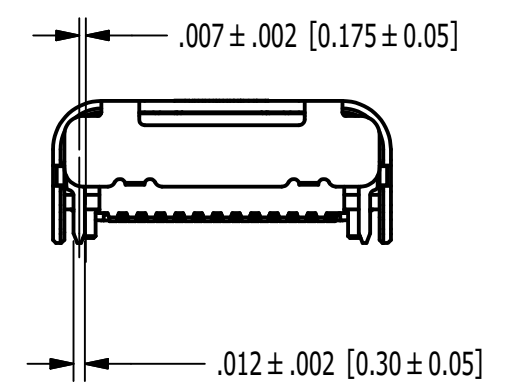
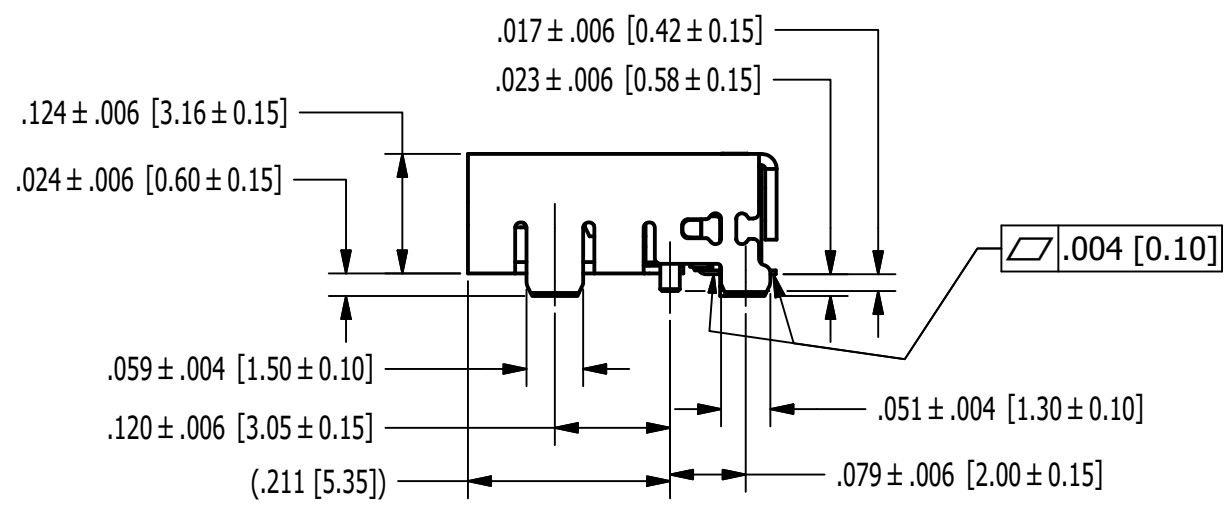
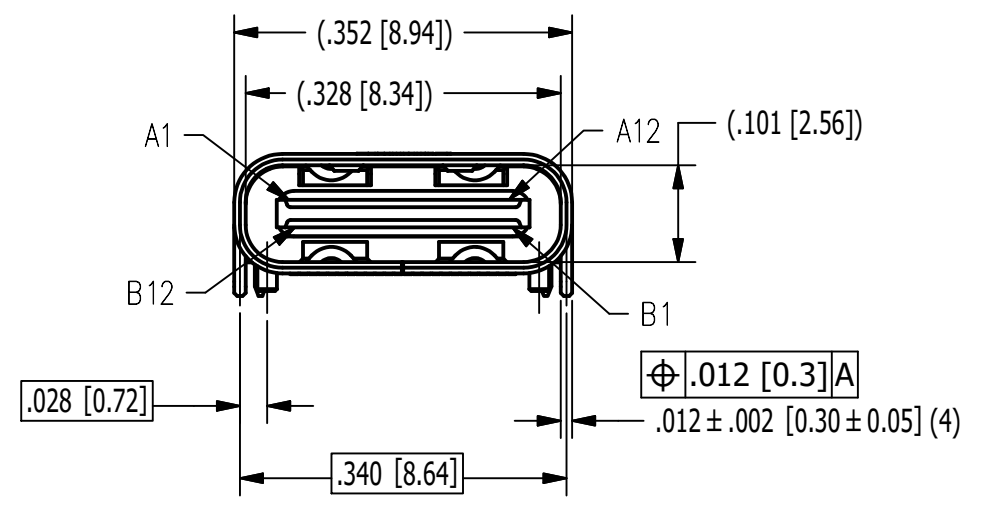
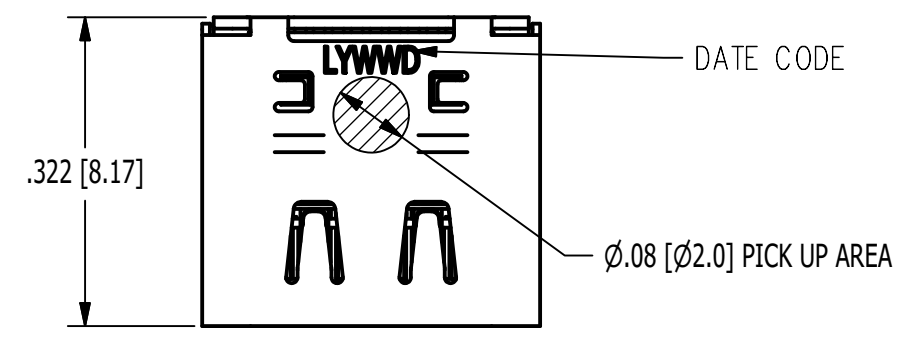
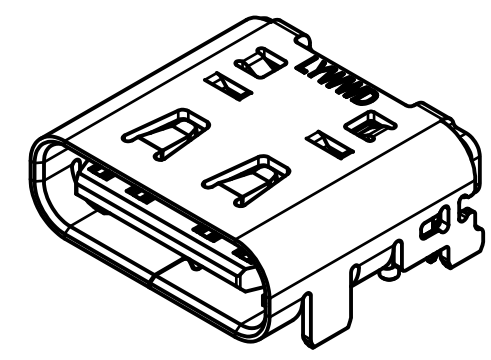


	4				3								2				1							
PIN NO.	A1	A2	A3	A4	A5	A6	A7	A8	A9	A10	A11	A12												
SIGNAL NAME	GND	SSTXp1	SSTXn1	VBUS	CC1	Dp1	Dn1	SBU1	VBUS	SSRXn2	SSRXp2	GND												
PIN NO.	B12	B11	B10	B9	B8	B7	B6	B5	B4	B3	B2	B1												
SIGNAL NAME	GND	SSRXp1	SSRXn1	VBUS	SBU2	Dn2	Dp2	CC2	VBUS	SSTXn2	SSTXp2	GND												

DATE	REV	ECN	APP'D BY
5/20/2019	A0		ADB



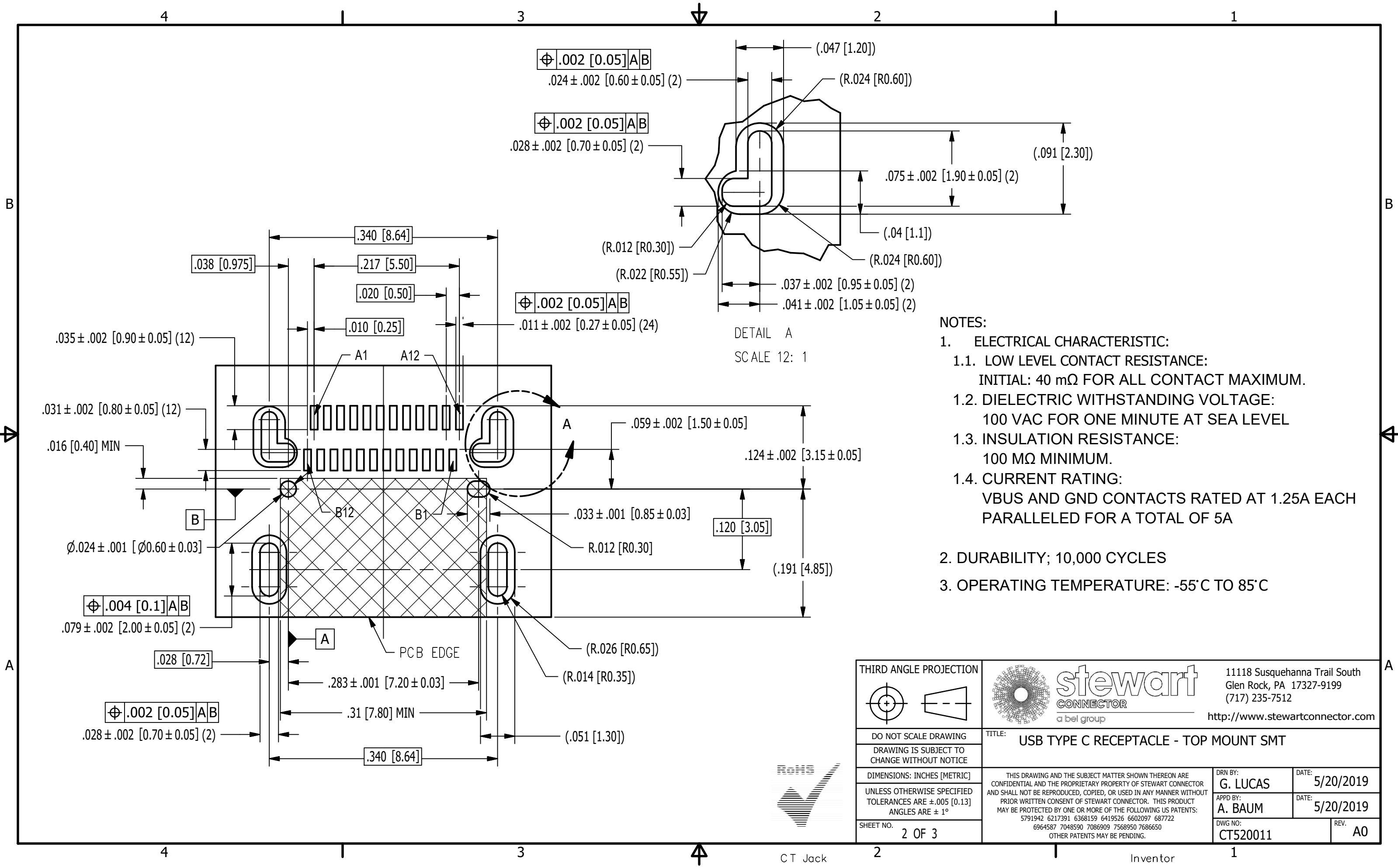
PART NUMBER: SS-52400-001				
ITEM	NAME	QTY	MATERIAL	FINISH
1	HOUSING	1	LCP UL94V-0	
2	CONTACT	24	COPPER ALLOY	30u' [.76um] Au CONTACT AREA
3	GROUND PLATE	1	SUS 304	SOLDER TAILS NICKEL
4	SHELL	1	SUS 301	SOLDER TAILS NICKEL

THIRD ANGLE PROJECTION	<p>11118 Susquehanna Trail South Glen Rock, PA 17327-9199 (717) 235-7512 http://www.stewartconnector.com</p>
DO NOT SCALE DRAWING DRAWING IS SUBJECT TO CHANGE WITHOUT NOTICE	
DIMENSIONS: INCHES [METRIC]	TITLE: USB TYPE C RECEPTACLE - TOP MOUNT SMT
UNLESS OTHERWISE SPECIFIED TOLERANCES ARE ±.005 [0.13] ANGLES ARE ± 1°	DRN BY: G. LUCAS DATE: 5/20/2019
SHEET NO. 1 OF 3	APP'D BY: A. BAUM DATE: 5/20/2019
	DWG NO: CT520011 REV. A0



CT Jack

Inventor



$\phi .002 [0.05] AB$

$\phi .002 [0.05] AB$

$.028 \pm .002 [0.70 \pm 0.05] (2)$

$\phi .002 [0.05] AB$

$.011 \pm .002 [0.27 \pm 0.05] (24)$

$\phi .004 [0.1] AB$

$.079 \pm .002 [2.00 \pm 0.05] (2)$

$\phi .002 [0.05] AB$

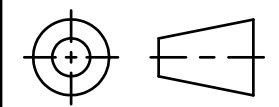
$.028 \pm .002 [0.70 \pm 0.05] (2)$

NOTES:

1. ELECTRICAL CHARACTERISTIC:
 - 1.1. LOW LEVEL CONTACT RESISTANCE:
INITIAL: 40 mΩ FOR ALL CONTACT MAXIMUM.
 - 1.2. DIELECTRIC WITHSTANDING VOLTAGE:
100 VAC FOR ONE MINUTE AT SEA LEVEL
 - 1.3. INSULATION RESISTANCE:
100 MΩ MINIMUM.
 - 1.4. CURRENT RATING:
VBUS AND GND CONTACTS RATED AT 1.25A EACH
PARALLELED FOR A TOTAL OF 5A
2. DURABILITY; 10,000 CYCLES
3. OPERATING TEMPERATURE: -55°C TO 85°C

DETAIL A
SCALE 12: 1

THIRD ANGLE PROJECTION



DO NOT SCALE DRAWING
DRAWING IS SUBJECT TO
CHANGE WITHOUT NOTICE

DIMENSIONS: INCHES [METRIC]

UNLESS OTHERWISE SPECIFIED
TOLERANCES ARE $\pm .005 [0.13]$
ANGLES ARE $\pm 1^\circ$

SHEET NO.
2 OF 3



11118 Susquehanna Trail South
Glen Rock, PA 17327-9199
(717) 235-7512
<http://www.stewartconnector.com>

TITLE: USB TYPE C RECEPTACLE - TOP MOUNT SMT

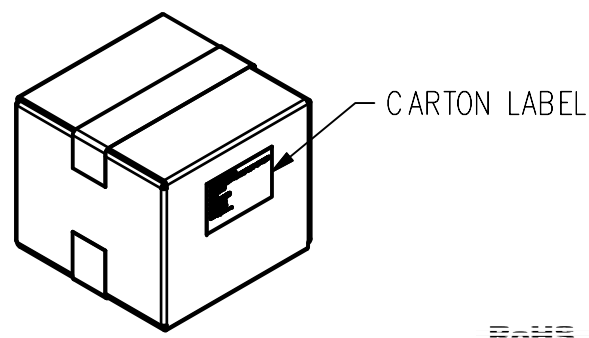
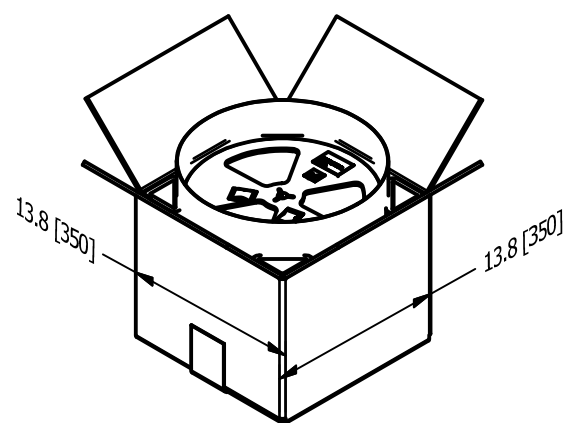
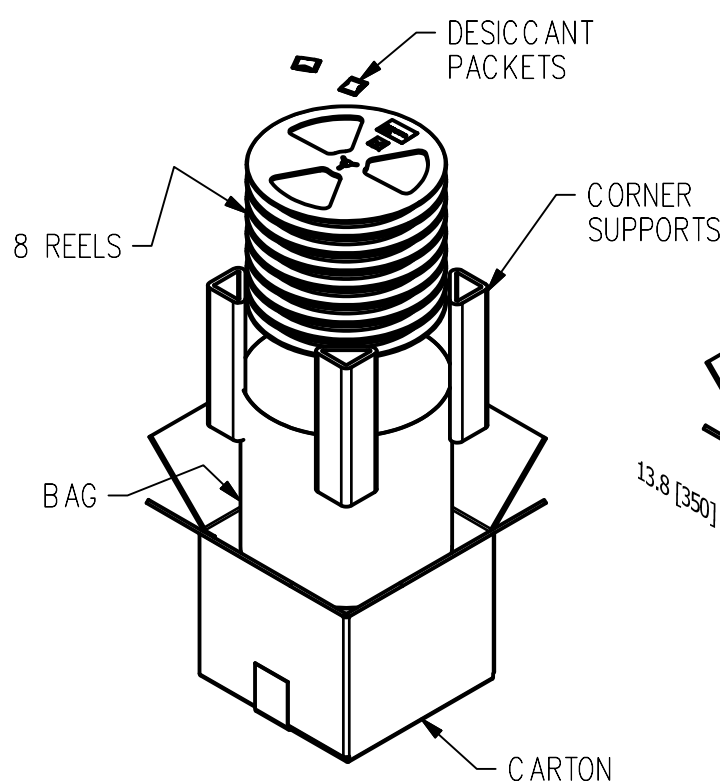
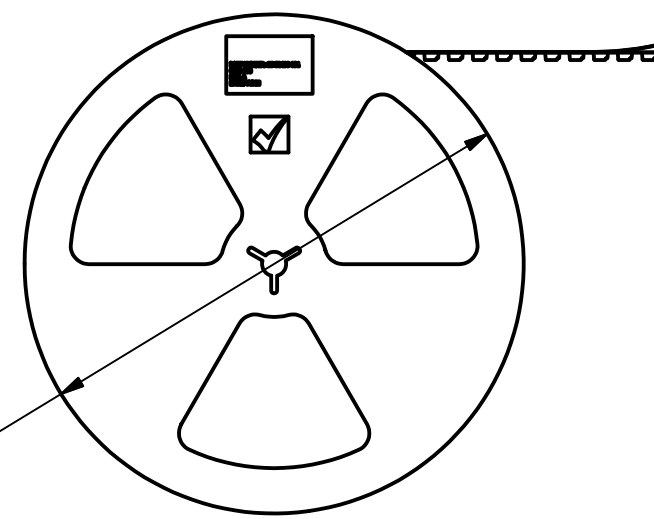
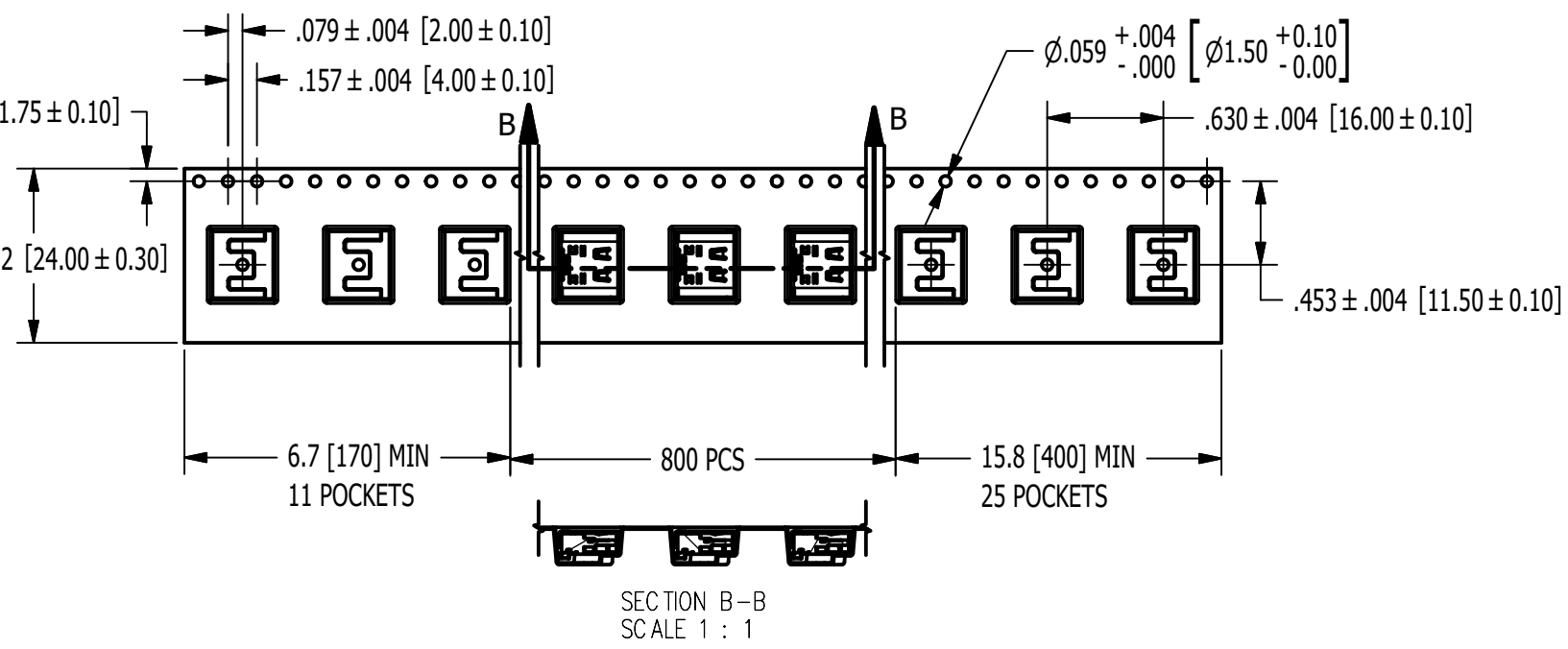
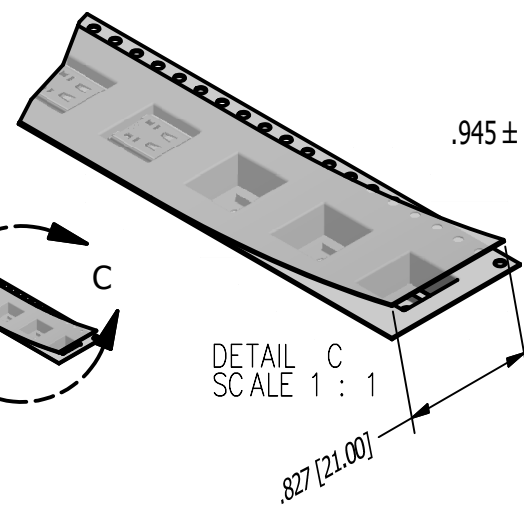
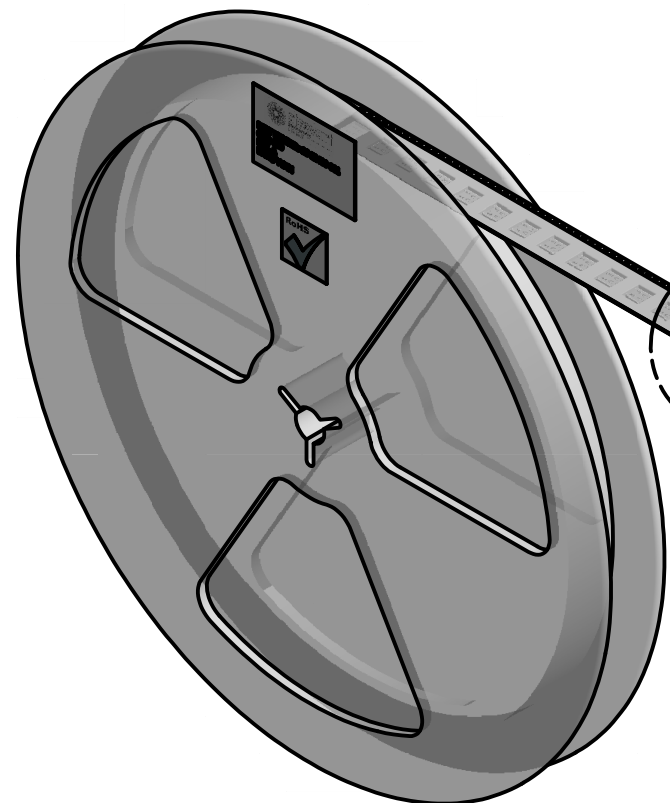
THIS DRAWING AND THE SUBJECT MATTER SHOWN THEREON ARE
CONFIDENTIAL AND THE PROPRIETARY PROPERTY OF STEWART CONNECTOR
AND SHALL NOT BE REPRODUCED, COPIED, OR USED IN ANY MANNER WITHOUT
PRIOR WRITTEN CONSENT OF STEWART CONNECTOR. THIS PRODUCT
MAY BE PROTECTED BY ONE OR MORE OF THE FOLLOWING US PATENTS:
5791942 6217391 6368159 6419526 6602097 687722
6964587 7048590 7086909 7568950 7686650
OTHER PATENTS MAY BE PENDING.

DRN BY: G. LUCAS	DATE: 5/20/2019
APPD BY: A. BAUM	DATE: 5/20/2019
DWG NO: CT520011	REV. A0



CT Jack

Inventor



<p>THIRD ANGLE PROJECTION</p>	<p>11118 Susquehanna Trail South Glen Rock, PA 17327-9199 (717) 235-7512 http://www.stewartconnector.com</p>						
<p>DO NOT SCALE DRAWING DRAWING IS SUBJECT TO CHANGE WITHOUT NOTICE</p>	<p>TITLE: USB TYPE C RECEPTACLE - TOP MOUNT SMT</p>						
<p>DIMENSIONS: INCHES [METRIC]</p> <p>UNLESS OTHERWISE SPECIFIED TOLERANCES ARE ±.005 [0.13] ANGLES ARE ± 1°</p>	<p>THIS DRAWING AND THE SUBJECT MATTER SHOWN THEREON ARE CONFIDENTIAL AND THE PROPRIETARY PROPERTY OF STEWART CONNECTOR AND SHALL NOT BE REPRODUCED, COPIED, OR USED IN ANY MANNER WITHOUT PRIOR WRITTEN CONSENT OF STEWART CONNECTOR. THIS PRODUCT MAY BE PROTECTED BY ONE OR MORE OF THE FOLLOWING US PATENTS: 5791942 6217391 6368159 6419526 6602097 687722 6964587 7048590 7086909 7568950 7686650 OTHER PATENTS MAY BE PENDING.</p>						
<p>SHEET NO. 3 OF 3</p>	<table border="1"> <tr> <td>DRN BY: G. LUCAS</td> <td>DATE: 5/20/2019</td> </tr> <tr> <td>APPD BY: A. BAUM</td> <td>DATE: 5/20/2019</td> </tr> <tr> <td>DWG NO: CT520011</td> <td>REV. A0</td> </tr> </table>	DRN BY: G. LUCAS	DATE: 5/20/2019	APPD BY: A. BAUM	DATE: 5/20/2019	DWG NO: CT520011	REV. A0
DRN BY: G. LUCAS	DATE: 5/20/2019						
APPD BY: A. BAUM	DATE: 5/20/2019						
DWG NO: CT520011	REV. A0						