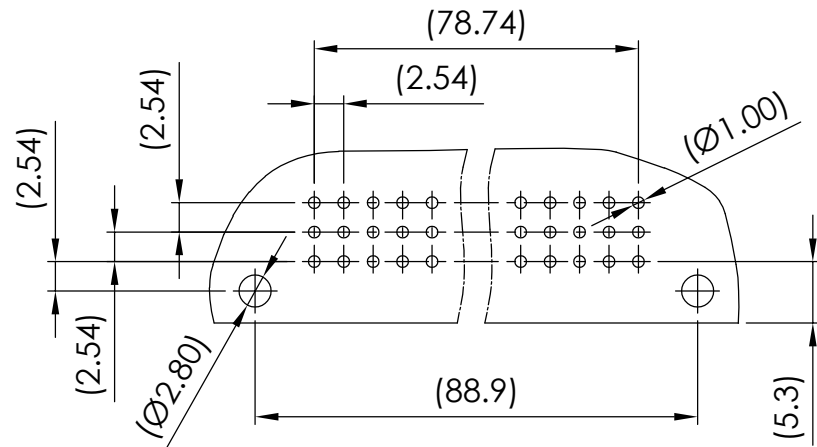
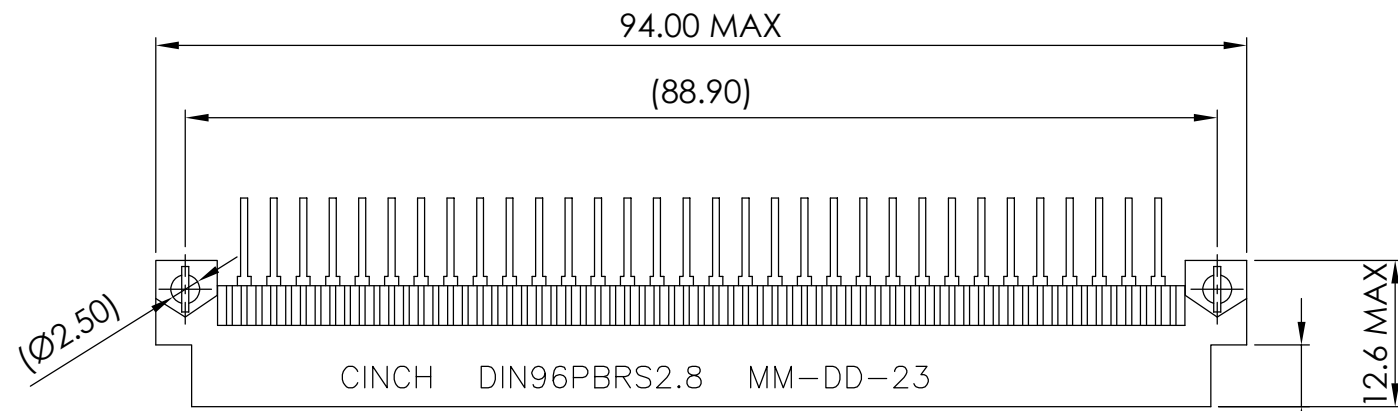
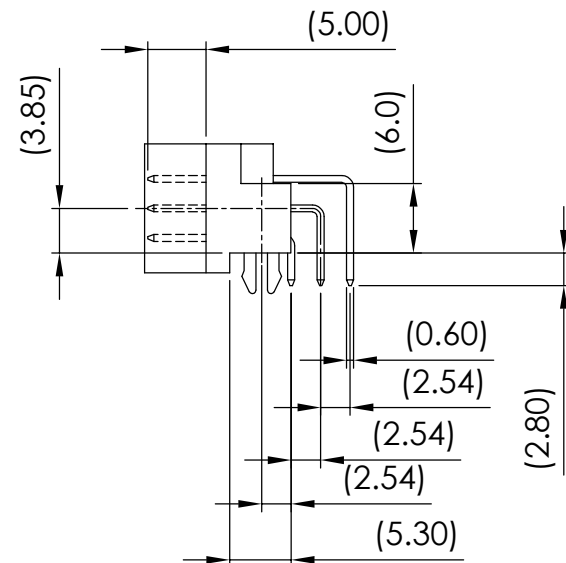
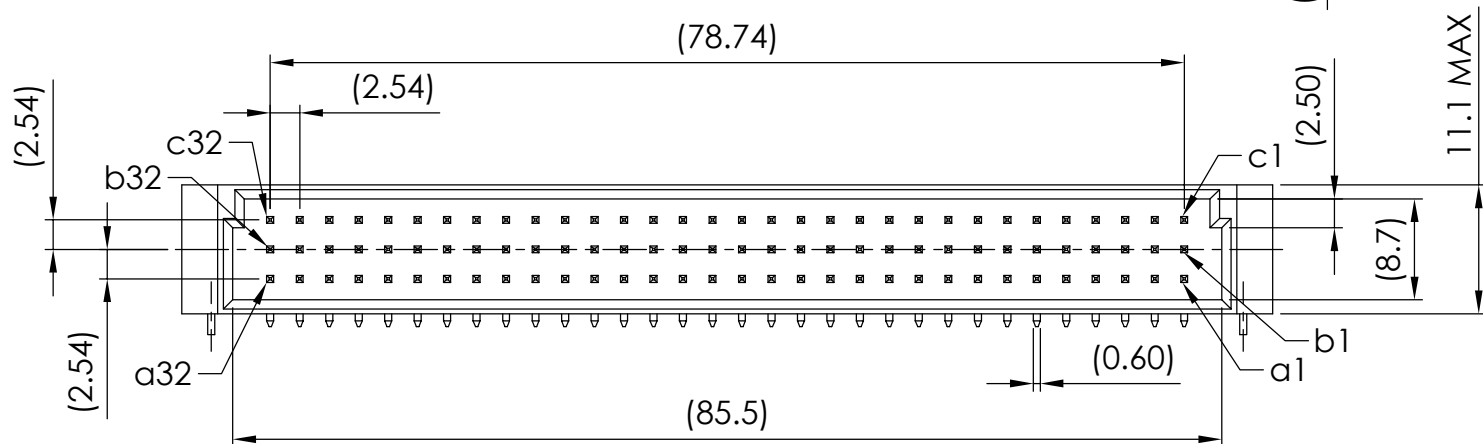


DRAWING REVISIONS (RELEASE DATE ON FILE)			
REV	DOCUMENT	APP	APPROVAL DATE
A	CCS11405	JW	2/28/23

- FEATURES:**
- 96 Circuits
  - Housing: PBT+30% Glass Filled UL 94V-0
  - Contact: Brass, Phosphor Bronze, Gold, Tin Tails
  - Board Lock: Brass, Tin
- SPECIFICATIONS:**
- Current rating: 2A
  - Temperature range: -55° C to + 125° C
  - Contact resistance: 20mΩ max.
  - Mating Force: .93N max. per pin
  - Solder Tails for 1.6mm (.062") PCB available



Recommended P.C Board Hole Layout



UNITS <b>METRIC</b>		<b>AUTOCAD</b>	<b>CINCH</b> 1700 FINLEY RD LOMBARD, IL. 60148		
DO NOT SCALE DRAWING UNLESS OTHERWISE SPECIFIED: DIMENSIONS ARE IN MILLIMETERS	DESIGN ENGINEER <b>J. WARRAICH</b>	DATE <b>2/21/23</b>	TITLE <b>DIN 41612 SERIES MALE, RIGHT ANGLE SOLDER TYPE</b>		
FILLET/RADII 0.50 MAX. TOLERANCES AND LIMITS APPLY OVER ADDITIVE FINISH TOLERANCES .X ±2.5 .XX ±0.25 .XXX ±0.127 ANGULAR ±0.5°	<b>APPROVALS ON FILE</b>		MATERIAL <b>SEE NOTES</b>	CONTROL SPEC NUMBER <b>N/A</b>	
<b>CONFIDENTIAL</b> THIS DOCUMENT IS THE PROPERTY OF CINCH. NEITHER THIS DOCUMENT NOR ANY OF THE INFORMATION CONTAINED IN IT MAY BE DUPLICATED OR DISCLOSED WITHOUT PRIOR WRITTEN CONSENT OF CINCH. © COPYRIGHT 2023 CINCH			MATERIAL SPEC NUMBER <b>N/A</b>	FINISH <b>SEE NOTES</b>	PROJECT NUMBER <b>N/A</b>
CAD FILE NUMBER <b>25043-96M2113-CINCH-PB</b>			DRAWING NUMBER <b>25043-96M2113-CINCH-PB</b>	CAGE IDENT NO. <b>71785</b>	SIZE <b>B</b>
		SCALE <b>1:1</b>	SHEET <b>1 OF 1</b>		