

Commercial Grade Terminations

Features

- Best combination of price and performance
- For general commercial use
- Up to 18 GHz operation
- Gold and tri-alloy plated brass construction
- SMA, N, TNC Male 2 W and 5 W average power

Applications

- Cellular base stations
- Public safety systems
- Wi-Fi networks hardware
- Active antenna systems
- 5G network hardware
- GPS systems

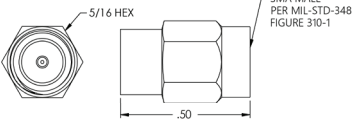
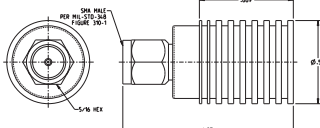
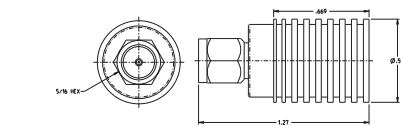


Part Number	Termination Type	Frequency	Average Power
CGT-1180-M0-SMA-09	SMA Male Termination	DC-18 GHz	2 W
CGT-1180-M0-NNN-34	N Male Termination	DC-18 GHz	2 W
CGT-1060-M0-TNC-34	TNC Male Termination	DC-6 GHz	2 W
CGT-2060-M0-SMA-34	SMA Male Termination	DC-6 GHz	5 W
CGT-2180-M0-SMA-34	SMA Male Termination	DC-18 GHz	5 W
CGT-2060-M0-NNN-34	N Male Termination	DC-6 GHz	5 W

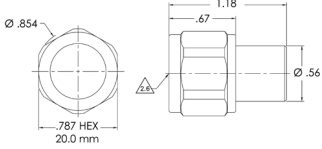
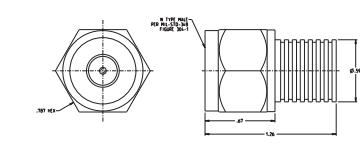
Commercial Grade Terminations



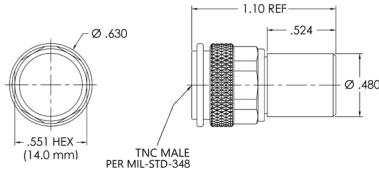
SMA

	CGT-1180-M0-SMA-09	CGT-2060-M0-SMA-34	CGT-2180-M0-SMA-34
Electrical			
Frequency of Operation	DC-18 GHz	DC-6 GHz	DC-18 GHz
Impedance	50Ω (Nominal)	50Ω (Nominal)	50Ω (Nominal)
VSWR	1.20:1 (max)	1.15:1 (max)	1.20:1 (max)
Input Power (at 25°C)	2W (CW)	5W (CW)	5W (CW)
Materials and Finish			
Housing	Gold plated brass	Tri-Alloy plated brass	Tri-Alloy plated brass
Male Center Contact	Gold plated brass	Gold plated brass	Gold plated brass
Environmental			
Operating Temperature	-55°C to 85°C	-50°C to 85°C	-50°C to 85°C

Type N

	CGT-1180-M0-NNN-34	CGT-2060-M0-NNN-34
Electrical		
Frequency of Operation	DC-18 GHz	DC-6 GHz
Impedance	50Ω (Nominal)	50Ω (Nominal)
VSWR	1.18:1 (max)	1.15:1 (max)
Input Power (at 25°C)	2W (CW)	5W (CW)
Materials and Finish		
Housing	Tri-Alloy plated brass	Tri-Alloy plated brass
Male Center Contact	Gold plated brass	Gold plated brass
Environmental		
Operating Temperature	-55°C to 85°C	-50°C to 85°C

TNC

	CGT-1060-M0-TNC-34
Electrical	
Frequency of Operation	DC-6 GHz
Impedance	50Ω (Nominal)
VSWR	1.25:1 (max)
Input Power (at 25°C)	2W (CW)
Materials and Finish	
Housing	Tri-Alloy plated brass
Male Center Contact	Gold plated brass
Environmental	
Operating Temperature	-55°C to 85°C



Asia Pacific
+86 21 5442 7668
ccs.asia.sales@as.cinch.com

Europe, Middle East & Africa
+44 (0) 1245 342060
cinchconnectivity@eu.cinch.com

North America
+1 507 833 8822
ccsorders@us.cinch.com

belfuse.com/cinch