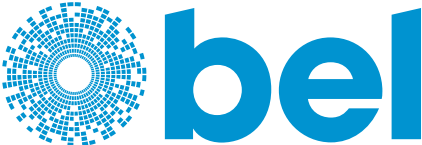


# Stewart Connector

## RJ45 D38999 Series S-RJFTV

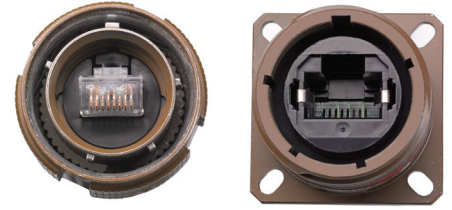
### Rugged Solutions

Based on the rugged D38999 shell and high performance RJ45, Stewart Connector's RJ45 D38999 provides Ethernet connectivity in harsh environments. A unique design reduces the footprint to size 19 and size 17, the smallest for this market, both of which can transmit up to 10G Base-T Ethernet.





## RJ45 D38999 Series S-RJFTV



### Features

- D38999 Series III Style Shell
- EMI Protection with Shielded Cable
- Shell Sizes 19 & 17, Which is the Smallest Size on the Market Today. Allows for communication speeds through 10G Base-T Ethernet
- Available in a Variety of Metals & Platings
- Minimum of 500 Mating Cycles
- Sealed to IP68
- Four Keyways Available

### Data Transmission

- 10 Base-T, 100 Base-T, 1G, 2.5G, 5G & 10G Base-T Ethernet
- High Performance Connectivity, Up to 500 MHz

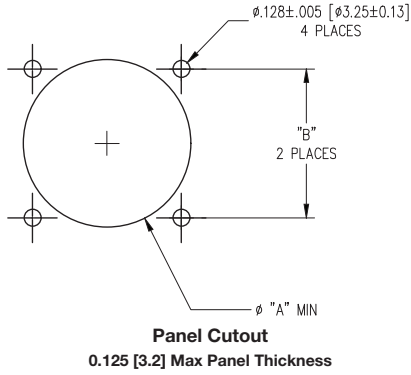
### Applications

- Harsh Environment Connectivity
- Military Communication
- Railway
- Oil and Gas
- Renewable Energy



## Recommended Panel Dimensions

### Panel Mounting

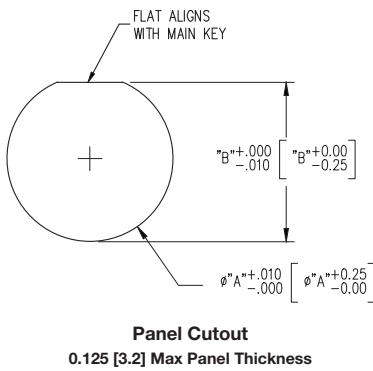


		Diameter "A"			
		Size 17		Size 19	
Front		1.016 in	25.81 mm	1.141 in	28.98 mm
Rear		1.219 in	30.96 mm	1.297 in	32.94 mm

Diameter "A"			
(If a backshell is used with front mounting)			
Size 17		Size 19	
1.219 in	30.96 mm	1.297 in	32.94 mm

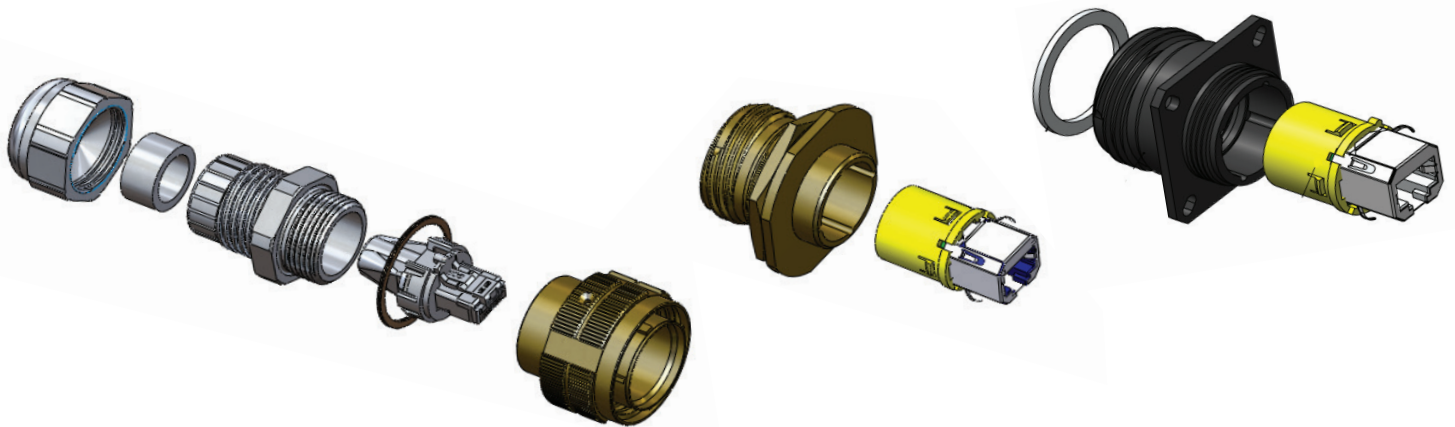
Height "B"			
Size 17		Size 19	
1.062 in	26.97 mm	1.156 in	29.36 mm

### Jam Nut Mounting

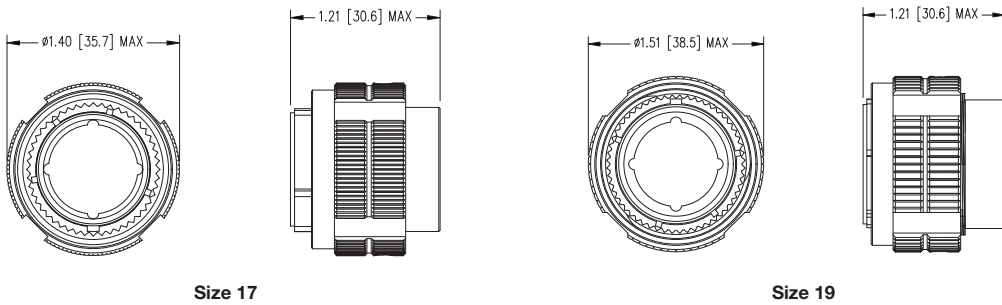


Diameter "A"			
Size 17		Size 19	
1.260 in	32.00 mm	1.385 in	35.18 mm

Height "B"			
Size 17		Size 19	
1.210 in	30.73 mm	1.335 in	33.91 mm

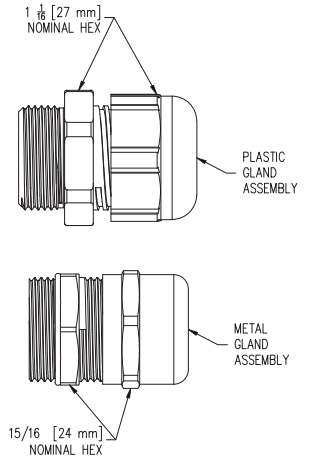


## Plug

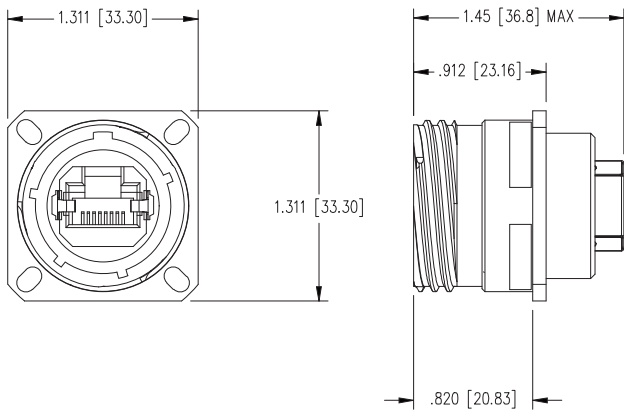


Size 17

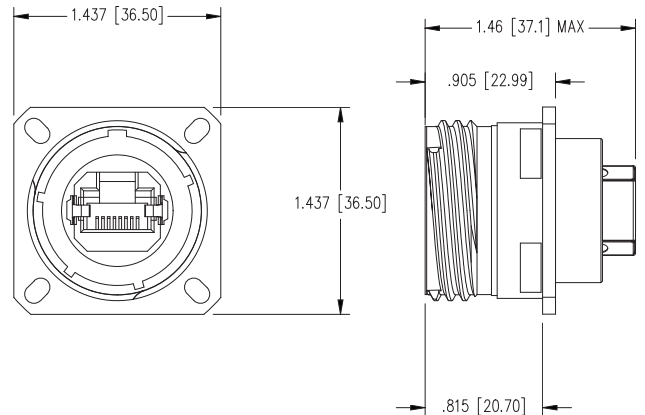
Size 19



## Square Flange Receptacle

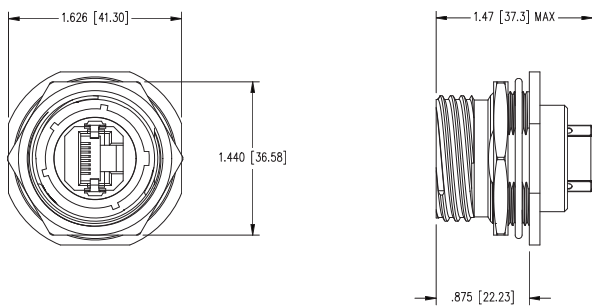


Size 17 Assembled Dimensions  
(Polarization Code A Shown)

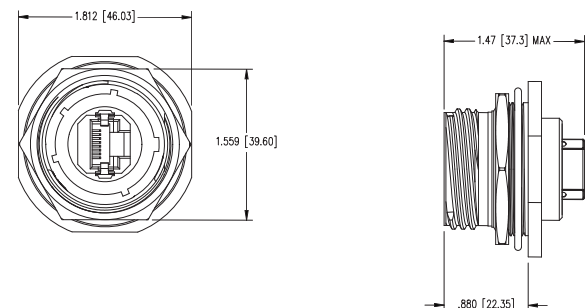


Size 19 Assembled Dimensions  
(Polarization Code A Shown)

## Jam Nut Receptacle

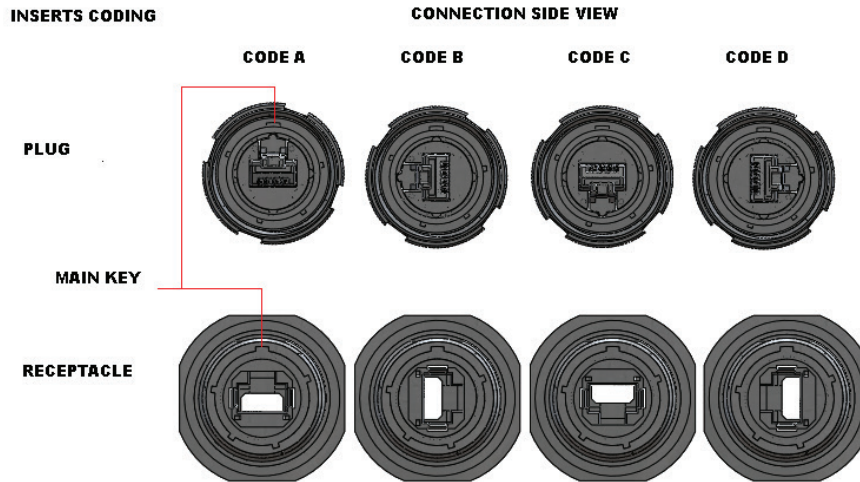


Size 17 Assembled Dimensions  
(Polarization Code A Shown)



Size 19 Assembled Dimensions  
(Polarization Code A Shown)





## Ordering Information

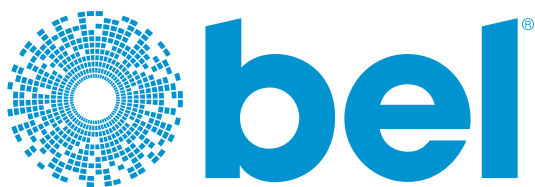
**S-RJFTV 5E/6A 17 06 1 G 03 K123**

<b>Series</b>	S-RJFTV	<b>Modification Code</b>	K123
RJ45 38999 series III		<b>Cordset Length</b>	03 = 0.3 meter 05 = 0.5 meter 10 = 1.0 meter 15 = 1.5 meter
<b>Performance</b>	5E/6A	<b>Shell Material and Plating</b>	G = Aluminum shell, olive drab cadmium plating N = Aluminum shell, nickel plating (RoHS) SS = Stainless steel, passivated (RoHS) BZ = Marine bronze (RoHS) Q = Aluminum shell, black zinc nickel plating (RoHS) W = Aluminum shell, gray nickel - PTFE (RoHS)
5E = Suited for 10 BaseT, 100 BaseT & 1G BaseT 6A = Suited for 2.5G BaseT, 5G BaseT & 10G BaseT	17	<b>Back End Termination (omit for shell type 06)</b>	1 = RJ45, Female, Straight
<b>Shell Size</b>	06		
17 = Size 17 19 = Size 19	1		
<b>Shell Type</b>	G		
02 = Receptacle, square flange 02BS = Receptacle, square flange, IP68 backshell, plastic gland 02BSM = Receptacle, square flange, IP68 backshell, metal gland 06P = Plug, straight, plastic gland 06M = Plug, straight, metal gland 07 = Receptacle, jamnut 07BS = Receptacle, jamnut, IP68 backshell, plastic gland 07BSM = Receptacle, jamnut, IP68 backshell, metal gland			

## About Stewart Connector

Stewart Connector portfolio of products include one of the broadest ranges of Ethernet connectivity. Our interconnect products includes passive jacks, plugs and cable assemblies that provide connectivity in networking equipment. Modular plugs and cable assemblies are used within the structured cabling system, known as premise wiring.

All connector products are designed to meet current industry performance standards.



POWER | PROTECT | CONNECT

For more information, please contact us:

North America  
11118 Susquehanna Trail South  
Glen Rock, PA 17327-9199

+1 717.235.7512  
techhelp@belf.com

[belfuse.com/stewart-connector](https://belfuse.com/stewart-connector)