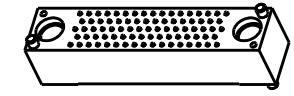


DRAWING REVISIONS
(RELEASE DATE ON FILE)

REV	DOCUMENT	APP	APPROVAL DATE
A	INITIAL RELEASE	MH	9/30/16



SCALE 1:1



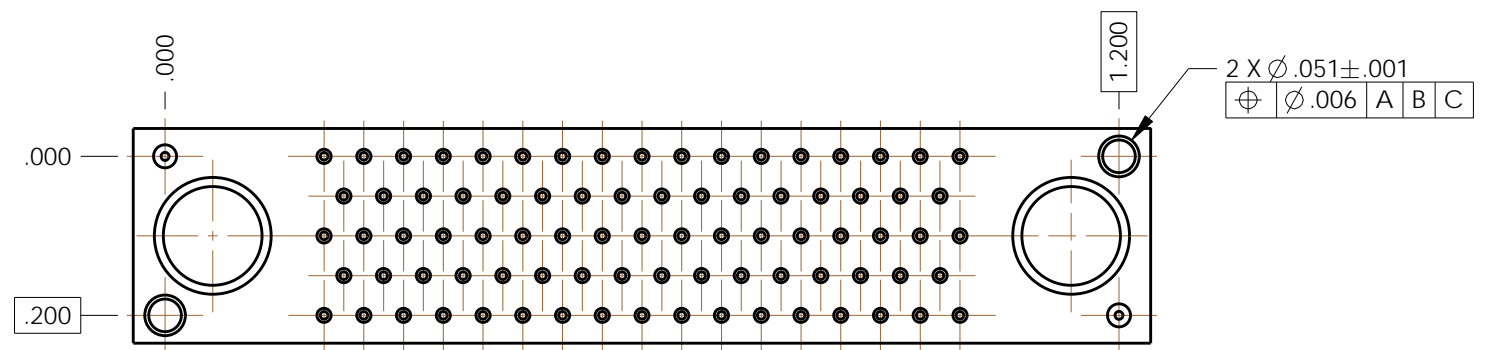
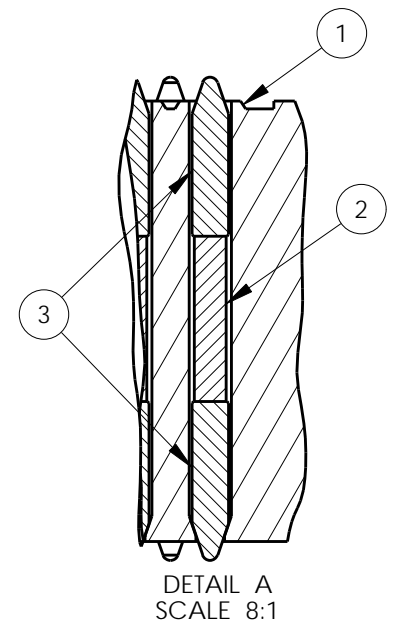
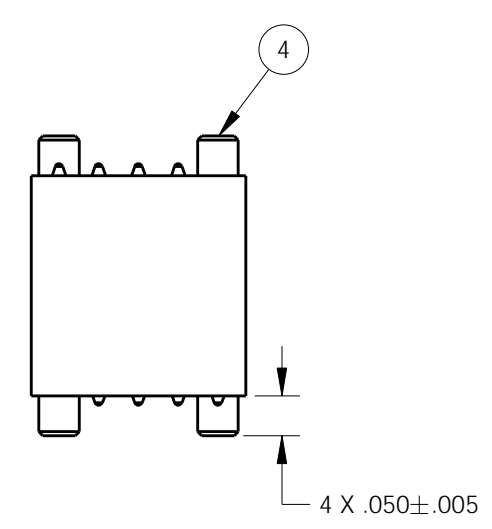
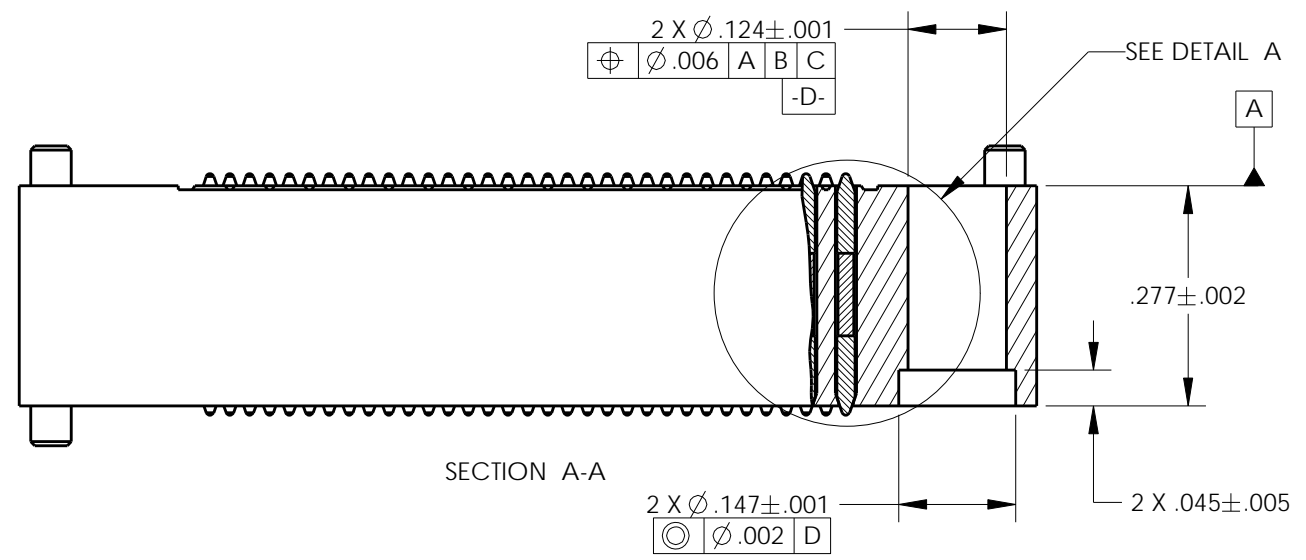
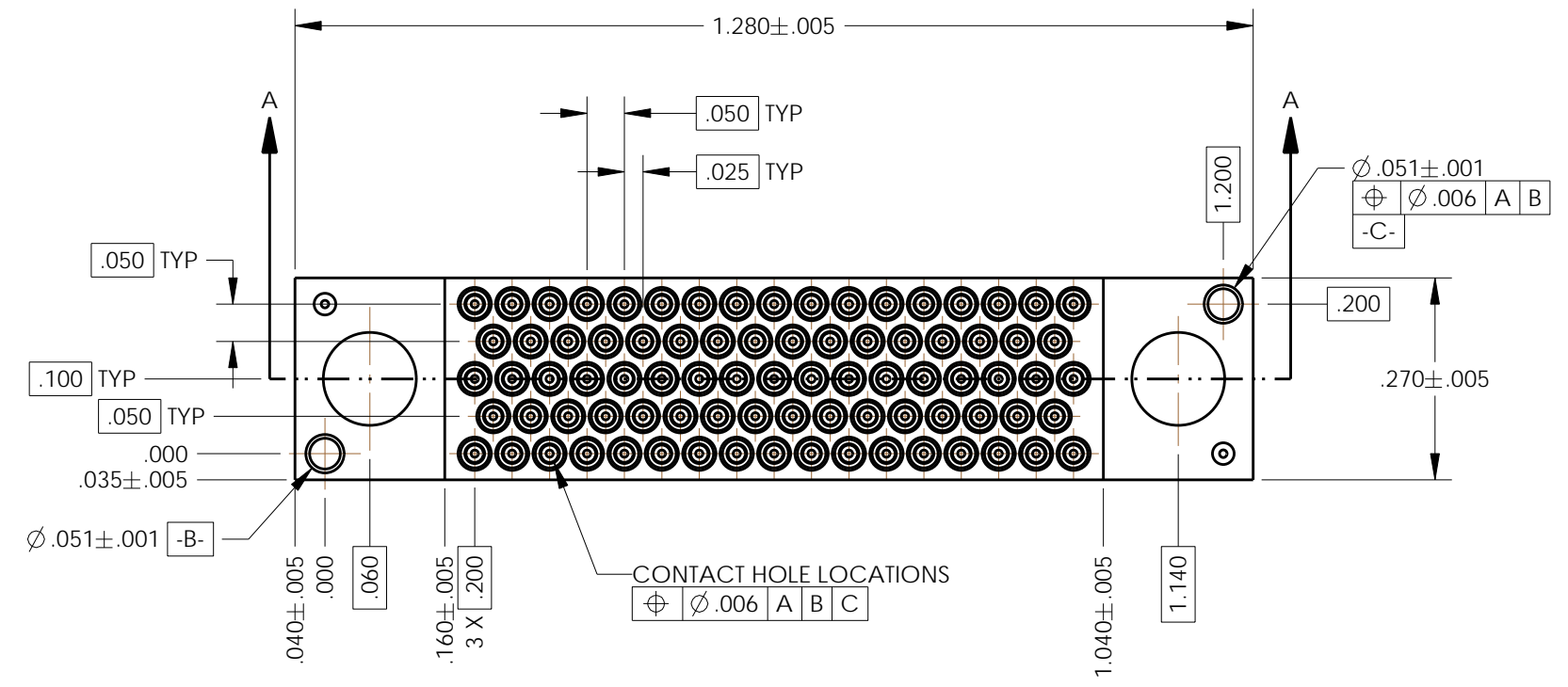
SCALE 1:1

NOTES:

- 1) MAXIMUM RESISTANCE PER CONTACT SHALL BE 100 MILLI-OHMS AT A TOTAL DISTANCE ABOVE INSULATOR THICKNESS OF .010".
- 2) FOR REFERENCE, CURRENT CARRYING CAPABILITY IS ~ 3 AMPS PER CONTACT AS PUBLISHED IN CINAPSE DESIGN GUIDELINES.
- 3) CONNECTOR ASSEMBLY MEETS OUTGASSING REQUIREMENTS PER ASTM-E595.

TABLE 1 (BILL OF MATERIAL)

ITEM	DESCRIPTION	QTY	MATERIAL	FINISH
1	INSULATOR	1	VECTRA C130	N/A
2	CONTACT	83	MOLYBDENUM	GOLD
3	PLUNGER	166	COPPER ALLOY	GOLD
4	ALIGNMENT PIN	4	STAINLESS STEEL	N/A



UNITS ENGLISH INCHES		DESIGN ENGINEER M.HYRC	DATE 9/26/16			MODELED BY: M.HYRC 1700 FINLEY RD LOMBARD, IL 60148	
DO NOT SCALE DRAWING				TITLE 83 POS ASSEMBLY MACHINED MIL/AERO CINAPSE			
UNLESS OTHERWISE SPECIFIED: ALL DIMENSIONS ARE IN INCHES FILLET/RADII .02 MAX.				MATERIAL N/A		CONTROL SPEC NUMBER N/A	
TOLERANCES .X ± .1 .XX ± .01 .XXX ± .005 ANGULAR ± 5°				MATERIAL SPEC NUMBER N/A		FINISH N/A	
CONFIDENTIAL THIS DOCUMENT IS THE PROPERTY OF CINCH. NEITHER THIS DOCUMENT NOR ANY OF THE INFORMATION CONTAINED IN IT MAY BE DUPLICATED OR DISCLOSED WITHOUT PRIOR WRITTEN CONSENT OF CINCH. ©COPYRIGHT 2016 CINCH				CAD FILE NUMBER 3900520017S		DRAWING NUMBER 3900520017S	
APPROVALS ON FILE				CAGE IDENT NO. 71785		SIZE B	
				SCALE 4:1		SHEET 1 OF 1	