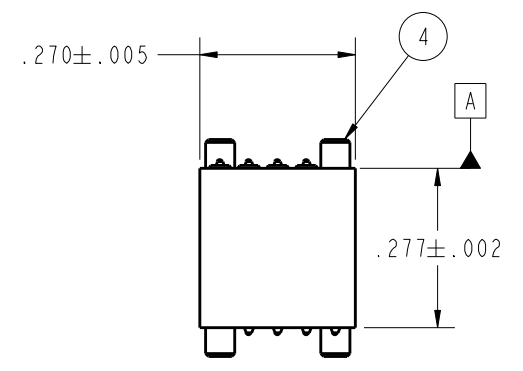
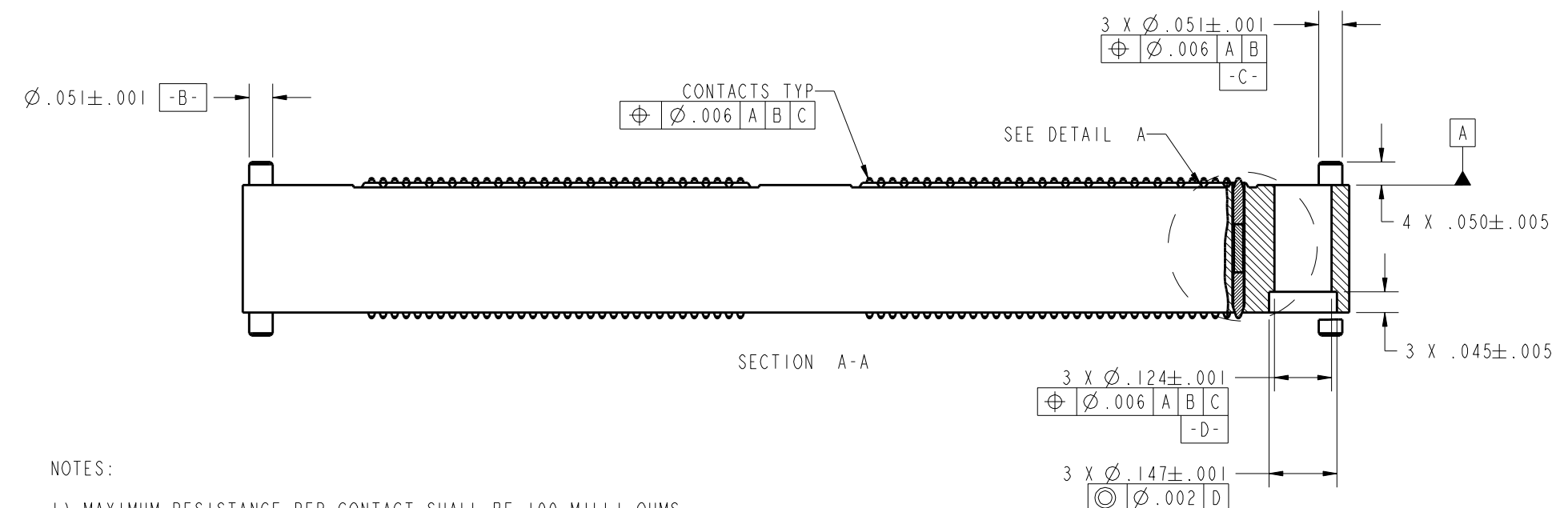
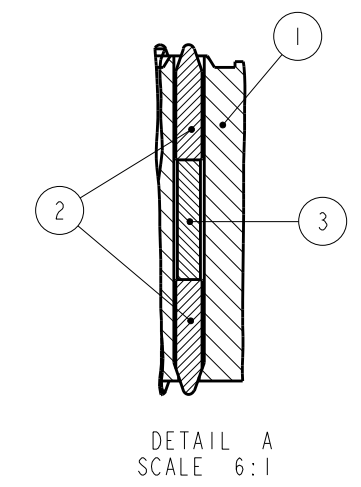
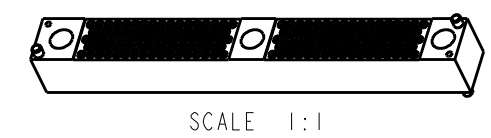
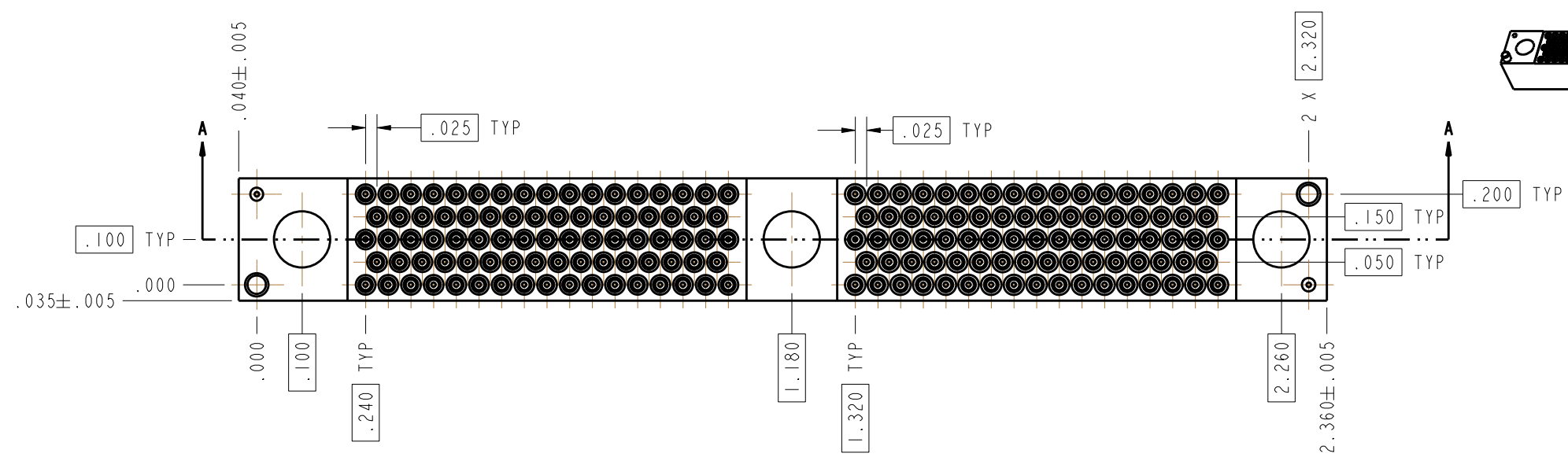


DRAWING REVISIONS (RELEASE DATE ON FILE)			
REV	DOCUMENT	APP	APPROVAL DATE
1	RELEASED	MH	8/19/09



NOTES:
 1) MAXIMUM RESISTANCE PER CONTACT SHALL BE 100 MILLI-OHMS AT A TOTAL DISTANCE ABOVE INSULATOR THICKNESS OF .010".

ITEM #	DESCRIPTION	QTY	MATERIAL	FINISH
1	INSULATOR	1	LCP	N/A
2	PLUNGER	332	COPPER ALLOY	GOLD
3	CONTACT	166	MOLYBDENUM	GOLD
4	ALIGNMENT PIN	4	STAINLESS STEEL	NONE

UNITS ENGLISH INCHES		DESIGN ENGINEER M.HYRC	DATE 8/17/09	MODELED BY: M.HYRC	
DO NOT SCALE DRAWING UNLESS OTHERWISE SPECIFIED: ALL DIMENSIONS ARE IN INCHES		PRO/E		1700 FINLEY RD LOMBARD, IL 60148	
FILLET/RADII .02 MAX.		TOLERANCES X ± .1 XX ± .01 XXX ± .005 ANGULAR ± .5°		TITLE CINCH 166 POS ASSEMBLY MACHINED MIL/AERO CINAPSE	
CONFIDENTIAL THIS DOCUMENT IS THE PROPERTY OF CINCH. NEITHER THIS DOCUMENT NOR ANY OF THE INFORMATION CONTAINED IN IT MAY BE DUPLICATED OR DISCLOSED WITHOUT PRIOR WRITTEN CONSENT OF CINCH. ©COPYRIGHT 2009 CINCH		APPROVALS ON FILE		CONTROL SPEC NUMBER N/A	
CAGE IDENT NO. 71785		SIZE B		PROJECT NUMBER M14829	
MATERIAL SEE TABLE 1		FINISH N/A		DRAWING NUMBER 3900520008S	
CAD FILE NUMBER 3900520008S		SCALE 3:1		SHEET 1 OF 1	