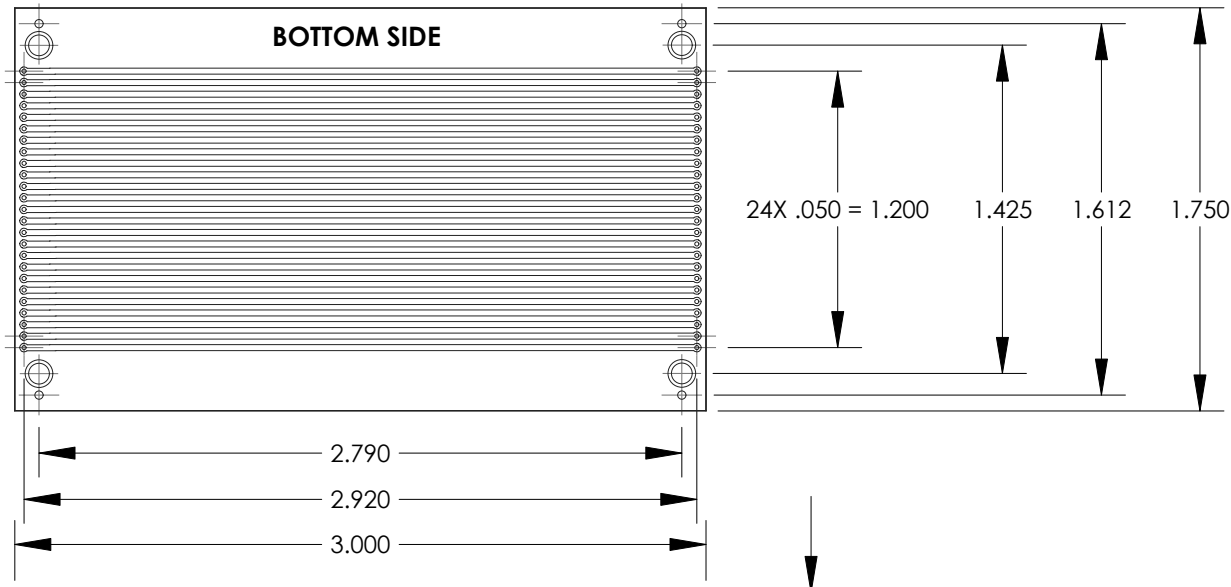


SILKSCREEN - BOTTOM

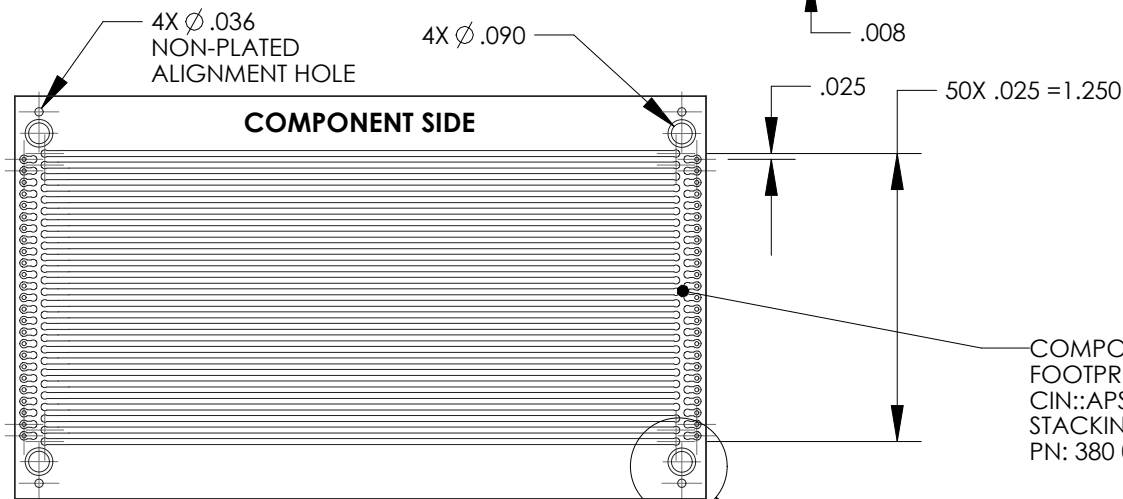


P/N 4631533094

BOTTOM SIDE



COMPONENT SIDE



SILKSCREEN - TOP

Mates to P/N 380 05 20 013 26

Mates to P/N 380 05 20 013 1

SEE DETAIL A

COMPONENT SIDE FOOTPRINT AREA FOR CIN::APSE COMPRESSION STACKING CONNECTOR PN: 380 05 20 013

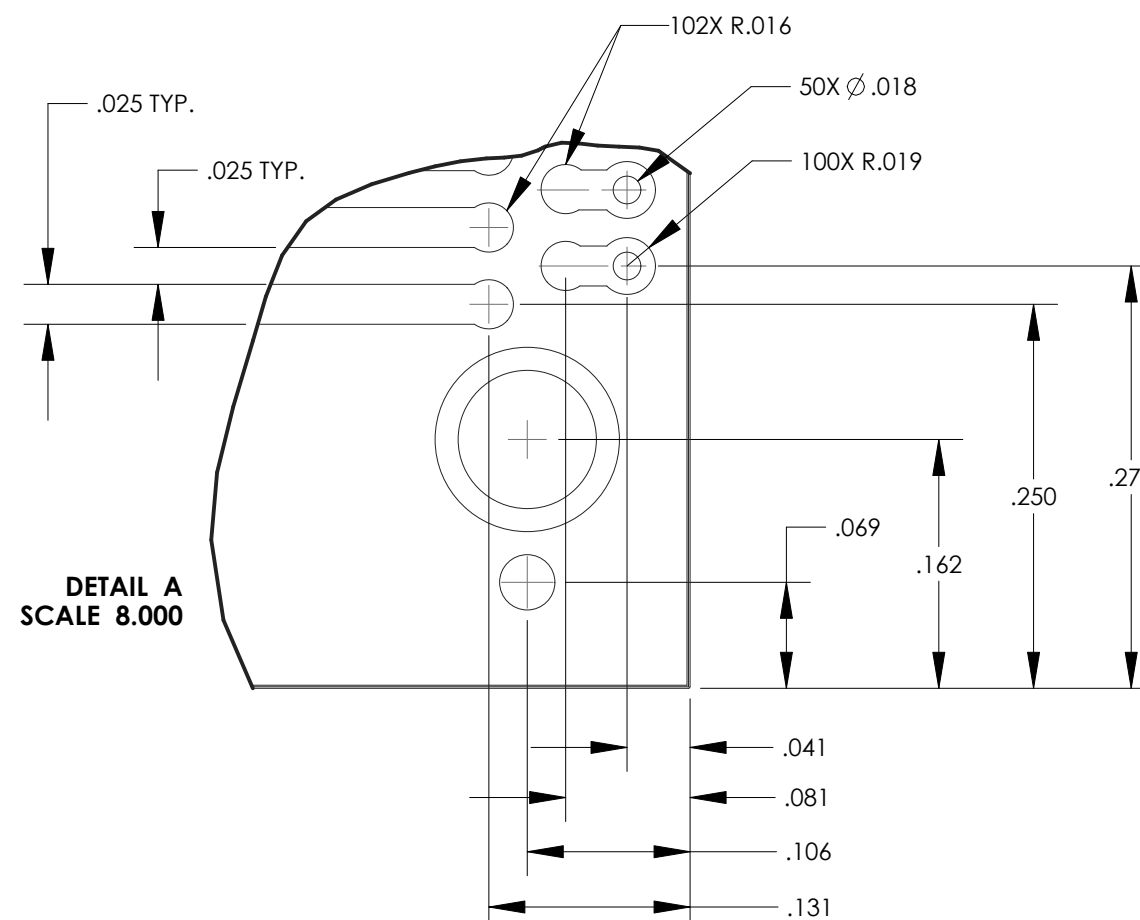
DRAWING REVISIONS  
(RELEASE DATE ON FILE)

REV	DOCUMENT	APP	APPROVAL DATE
A		AA	07/22/19

- NOTES:
- BOARD FABRICATED PER IPC-A-600D (ACCEPTABILITY OF PRINTED CIRCUITS)
  - MATERIALS: LF0210 COVERLAY / AP9121 CORE
  - THICKNESS: .008 IN
  - FINISH: ENIG
  - SILKSCREEN: WHITE
  - IMPEDANCE: N/A
  - IPC-6013, CLASS 2
  - HOLE DIMENSIONS ARE AFTER PLATING
  - TOLERANCES:
    - LINEAR .002
    - RADIAL .003
    - HOLES +.003 / -.000

STACKUP

	LF0210 COVERLAY
	COPPER
	POLYIMIDE AP9121 CORE
	COPPER
	LF0210 COVERLAY



UNITS		PRO/E	CINCH	
ENGLISH INCHES		DESIGN ENGINEER C.FUDALA	DATE 07/16/19	TITLE 51-POS FLEX JUMPER
DO NOT SCALE DRAWING		MATERIAL SEE NOTES		CONTROL SPEC NUMBER
UNLESS OTHERWISE SPECIFIED: ALL DIMENSIONS ARE IN INCHES		MATERIAL SPEC NUMBER		PROJECT NUMBER
Fillet/Radii .02 MAX.		FINISH SEE NOTES		
TOLERANCES .X ± .1 .XX ± .01 .XXX ± .005 ANGULAR ± .5°		CAD FILE NUMBER 4631533094		DRAWING NUMBER 4631533094
CONFIDENTIAL THIS DOCUMENT IS THE PROPERTY OF CINCH. NEITHER THIS DOCUMENT NOR ANY OF THE INFORMATION CONTAINED IN IT MAY BE DUPLICATED OR DISCLOSED WITHOUT PRIOR WRITTEN CONSENT OF CINCH. ©COPYRIGHT CINCH		CAGE IDENT NO. 71785		SIZE B
		SCALE 1.000		SHEET 1 OF 1

APPROVALS  
ON FILE

MODELED BY:  
C.FUDALA

1700 FINLEY RD  
LOMBARD, IL 60148