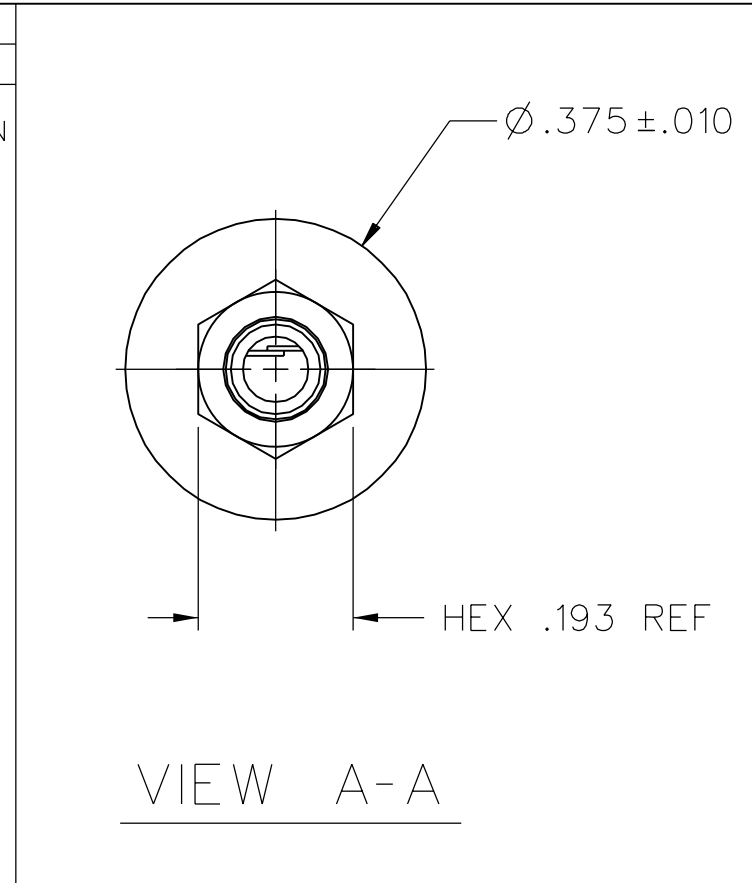


PART NUMBER	ITEM ①		ITEM ②		ITEM ③	ITEM ④
	HANDLE	COLOR	BODY	COLOR	CONTACT	CONTACT SPRING
105-0701-001	NYLON	WHITE	NYLON	WHITE	BRASS SILVER PL .0001 MIN OVER COPPER PL	BERYLLIUM COPPER SILVER PL .0001 MIN OVER COPPER PL
105-0702-001		RED		RED		
105-0703-001		BLACK		BLACK		
105-0704-001		GREEN		GREEN		
105-0705-001		LIGHT BLUE		LIGHT BLUE		
105-0706-001		ORANGE		ORANGE		
105-0707-001		YELLOW		YELLOW		
105-0708-001		BROWN		BROWN		
105-0709-001		LIGHT GREEN		LIGHT GREEN		
105-0710-001		BLUE		BLUE		
105-0711-001		IVORY		IVORY		
105-0712-001		VIOLET		VIOLET		
105-0713-001		GRAY		GRAY		
105-0714-001		BATTLESHIP GRAY		BATTLESHIP GRAY		
105-0715-001		DARK MAROON		DARK MAROON		
105-0716-001		DELFT BLUE		DELFT BLUE		
105-0717-001						
105-0718-001						
105-0719-001						
105-0720-001						



DRAWING NO. B-105-0701/0720-001

0	REVISIONS
---	-----------

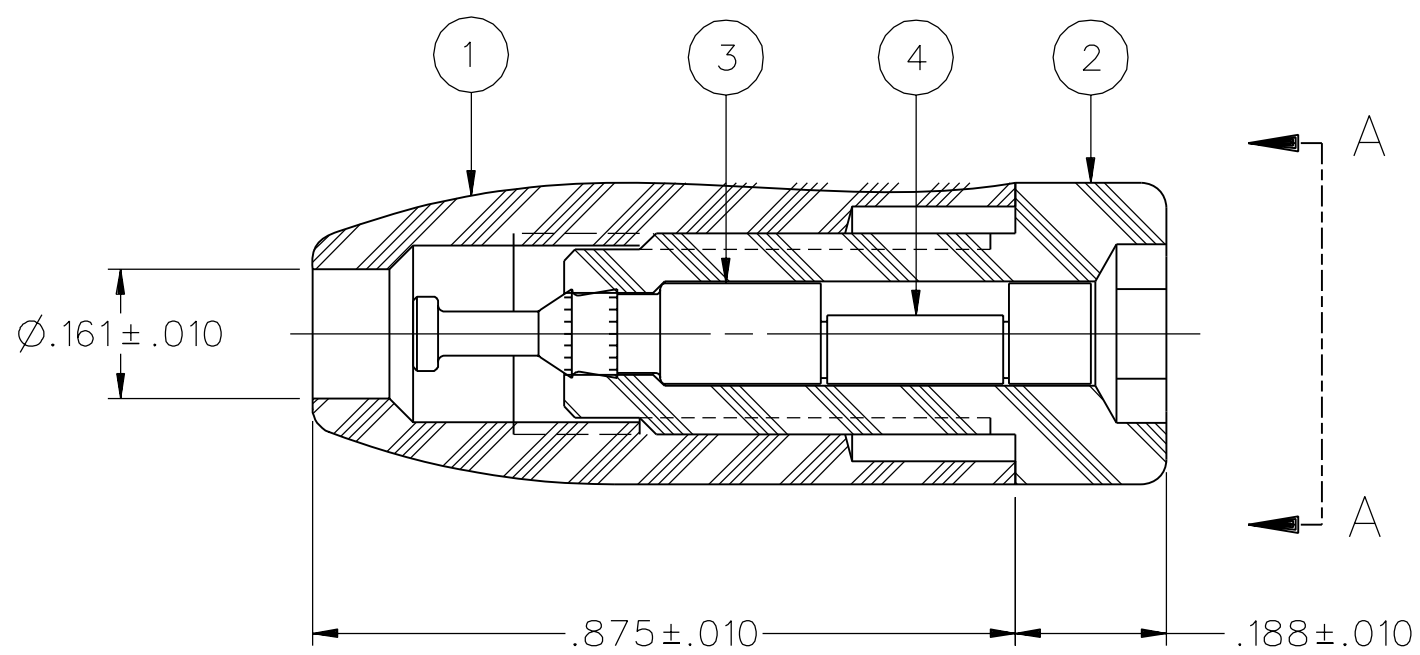
CREATED SHEET 2  
 \*\*\*\*\*  
 \* REVISION NUMBER FOLLOWED BY AN ALPHA \*  
 \* CHARACTER INDICATES DRAWING CLARIFI- \*  
 \* CATION OR PART NUMBER ADDITION ONLY. \*  
 \*\*\*\*\*

12a	5-3-02	T J S	R J B	5-31-02	ECN 48390
-----	--------	-------------	-------------	---------	-----------

NOTES:  
 SPECIFICATIONS:  
 ELECTRICAL:  
 CURRENT RATING: 5 AMPS DC MINIMUM  
 DIELECTRIC WITHSTANDING VOLTAGE: 5700 VRMS MIN AT SEA LEVEL  
 RECOMMENDED WORKING VOLTAGE: 2850 VRMS MAX AT SEA LEVEL  
 INSULATION RESISTANCE: 5000 MEGOHMS MIN  
 CONTACT RESISTANCE: 10 MILLIOHMS MAXIMUM  
 CAPACITANCE: 2 PF NOMINAL

MECHANICAL:  
 INSERTION/WITHDRAWAL FORCE: .5 - 5.0 POUNDS  
 CONTACT RETENTION IN INSULATOR FORCE: 15 LBS MIN  
 CONTACT RETENTION IN INSULATOR TORQUE: 12 IN-OZ MINIMUM  
 INSULATOR RETENTION IN .062 PANEL FORCE: NOT APPLICABLE  
 INSULATOR RETENTION IN SLEEVE FORCE: NOT APPLICABLE  
 INSULATOR RETENTION IN PANEL TORQUE: NOT APPLICABLE  
 PLASTIC MOUNTING THREAD STRIPPING TORQUE: NOT APPLICABLE  
 RESISTANCE TO TEST PROBE DAMAGE TORQUE: 2 IN LB MIN  
 MATING TIP PLUG DIAMETER: .080+- .001  
 DURABILITY: 1000 CYCLES MINIMUM

ENVIRONMENTAL:  
 (MEETS OR EXCEEDS THE APPLICABLE PARAGRAPH OF MIL-PRF-39024)  
 OPERATING TEMPERATURE: -55 DEG C TO 85 DEG C  
 TEMPERATURE RISE AT RATED CURRENT: 10 DEG C MAXIMUM  
 CORROSION: MIL-STD-1344, METHOD 1001, CONDITION B  
 SHOCK: MIL-STD-1344, METHOD 2004, CONDITION G  
 VIBRATION: MIL-STD-1344, METHOD 2005, CONDITION I  
 HUMIDITY: MIL-STD-1344, METHOD 1002, CONDITION B



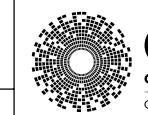
CUSTOMER DRAWING

THIS DRAWING TO BE INTERPRETED  
 PER ASME Y 14.5M - 1994

"μSTATION"

COMPANY CONFIDENTIAL

TOLERANCE UNLESS OTHERWISE SPECIFIED		DRAWN BY	DATE
DECIMALS	mm	RJB	5-31-02
.XX	_____	CHECKED BY	DATE
.XXX	_____	APPROVED BY	DATE
MATL	_____	RJB	5-13-02
FINISH	_____	RELEASE DATE	5-31-02
		U/M	INCH
		SCALE	4:1



**Cinch**  
 CONNECTIVITY SOLUTIONS  
 a bel group

Cinch Connectivity Solutions  
 P.O. Box 1732  
 Waseca, MN 56093  
 1-800-247-8256

TITLE  
 ASSEMBLY, TIP JACK,  
 INSULATED HANDLE, ROUND  
 BODY, TURRET TERMINAL

SHEET 2 OF 2  
 DRAWING NO. B-105-0701/0720-001