



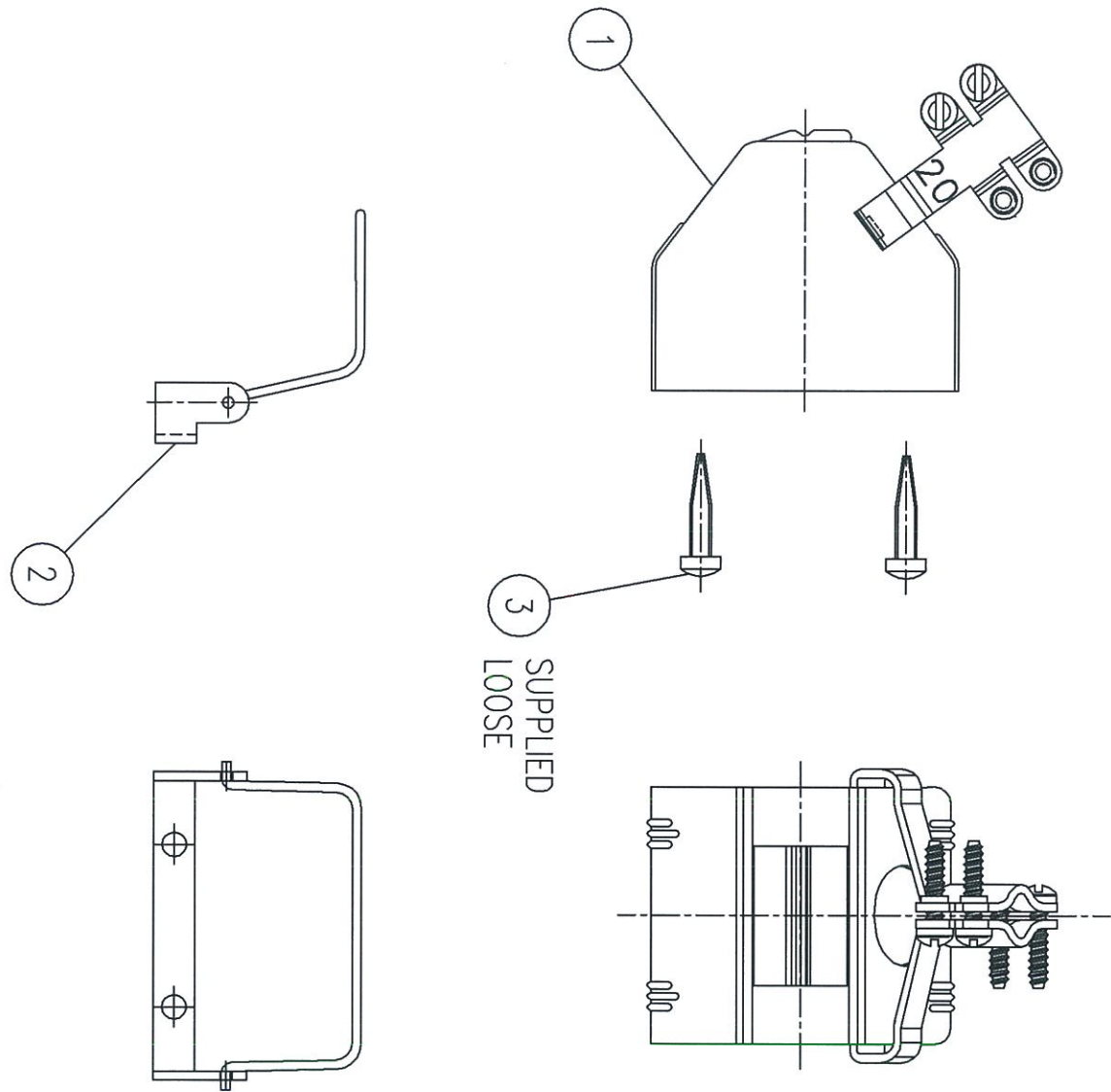
IF IN DOUBT - ASK

ALL DIMENSIONS ARE IN mm

ROHS COMPLIANT

A  
B  
C  
D  
E  
F  
G  
H  
J

CUSTOMER DRAWING.



THIS DRAWING IS COPYRIGHT AND IS ISSUED ON CONDITION IT IS NOT COPIED, REPRODUCED OR DISCLOSED TO A THIRD PARTY WITHOUT THE CONSENT IN WRITING OF CINCH CONNECTORS LTD. ATTENTION IS DRAWN TO THE FACT THAT THE ARTICLE DISCLOSED MAY BE COVERED BY BRITISH OR FOREIGN PATENTS, GRANTED OR PENDING OR REGISTERED DESIGN.

				APP'D					GENERAL TOLERANCE		TITLE				
				DATE	19.09.13					20 WAY MOULD SHELL ASSEMBLY AND SPRING CLIP ASSY					
				MOD No.						DRN: J.MADELEY		DATE	19.09.13	SCALE	CHD JNM
				ISSUE	A					RAW MATERIAL		MATERIAL SPEC.			
										FINISHED HARDNESS		FINISH TREATMENT		FINISHED COLOUR	
CODE	DESCRIPTION	ITEM	FINISH	No. OFF	ISSUE										
	SCREW	3	ZINC PLATE	4											
	SPRING CLIP ASSY	2		1											
	SHELL ASSY	1		1											

2 DECIMAL PLACES ± 0.10  
1 DECIMAL PLACE ± 0.20  
NO DECIMAL PLACE ± 0.50  
ANGULAR ± 1'  
0.18 MAX TOOLING RAD.