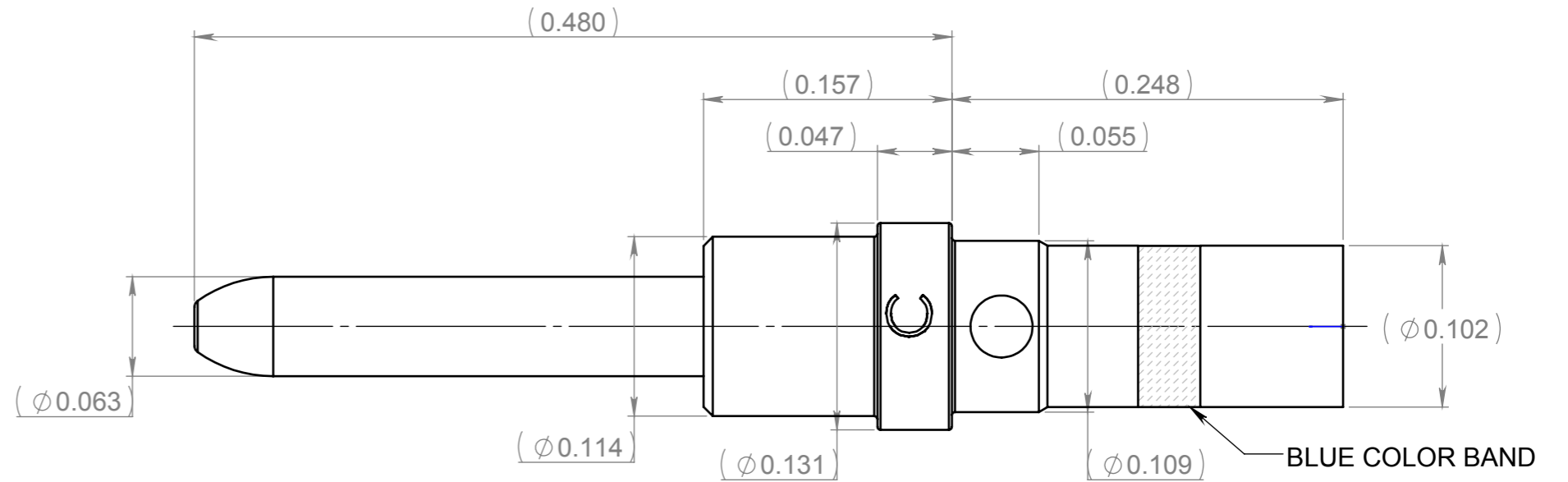
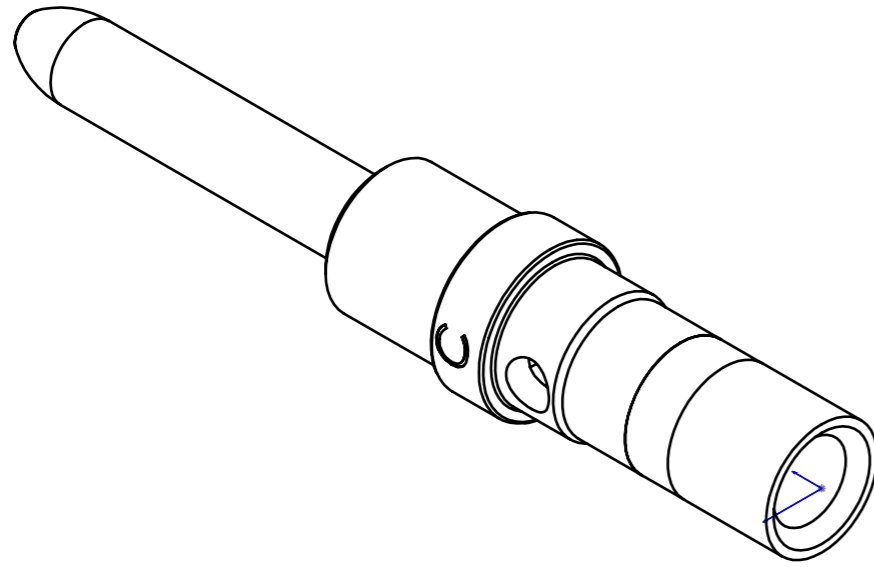


<b>SERIES</b> C-ENX	DESIGNATION	PIN CONTACT SIZE 16, CRIMP STYLE	<b>C-617240-S</b>	<b>A</b>
	PROTECTION			



NOTES:

- CINCH PART NUMBER: C-617240
- ALL DIMENSIONS ARE FOR REFERENCE
- CONTACTS ARE BULK PACKAGED IN SEALED PLASTIC BAG IDENTIFIED WITH:

CINCH  
DATE CODE  
P/N: C-617240  
Licensed Radiall P/N 617240

MATERIALS AND FINISHES: COPPER ALLOY WITH GOLD PLATING

WIRES ACCOMODATED: AWG 16, AWG 18, AWG 20  
INSULATOR DIAMETER: .102 MAX  
STRIP LENGTH: .236

CRIMP TOOL RECOMMENDED: M22520/1-01

SELECTOR POSITION: 6 FOR AWG 16  
5 FOR AWG 18  
4 FOR AWG 20

POSITIONER: M22520/1-02

CONTACT INSERT/EXTRACTION TOOL: M81969/1-03

						VOL :		WEIGHT : 0.57 grams		SURF.:	
						ALL DIMENSIONS ARE PLATING INCLUDED		Ra . ✓		SCALE 10:1	
						Gen.Tol. ± inches   °		A3		CINCH	
						MATERIAL		DRAWN NAME		CONNECTIVITY SOLUTIONS	
						TREATMENT		CHECKED NAME		This document is the property of CINCH. It cannot be reproduced or communicated to a third party without a prior written permission.	
IND	ECN	MODIFICATION		DATE	NAME	CHECKED					
A	CREATION	PEN:	EP: .	N°Provisional:	DATE	NAME					