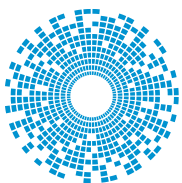


Stewart Connector RJ45 D38999

Series S-RJFTV

Rugged Solutions

Based on the rugged D38999 shell and high performance RJ45, Stewart Connector's RJ45 D38999 provides Ethernet connectivity in harsh environments. A unique design reduces the footprint to the markets smallest, size 17 which can be used to transmit 1G Base-T Ethernet.



stewart
CONNECTOR
a bel group

Series S-RJFTV

Main Characteristics

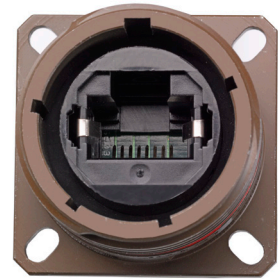
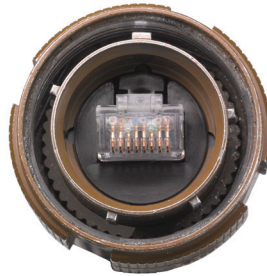
- D38999 series III style shell
- EMI protection with shielded cable
- Shell sizes 17 and 19, which is the smallest size on the market today and allows for communications speeds through 1G Base-T Ethernet
- Available in a variety of metals and plating's
- Minimum of 500 mating cycles
- Sealed to IP68
- Four keyways available

Applications

- Harsh Environment Connectivity
- Military Communication
- Railway
- Oil and Gas
- Renewable Energy Industry

Data transmission

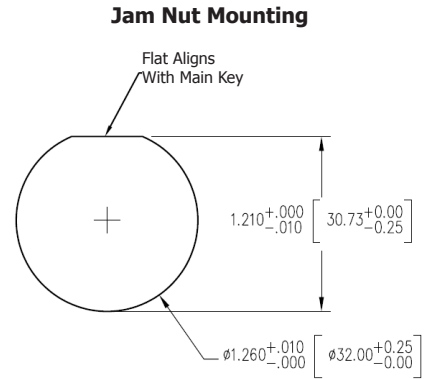
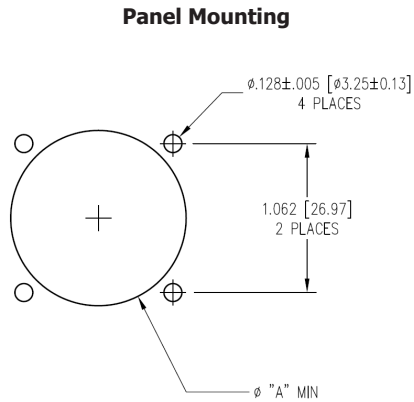
- 10 Base-T, 100 Base-T, and 1G Base-T Ethernet
- High performance connectivity, up to 100 MHz



Series S-RJFTV

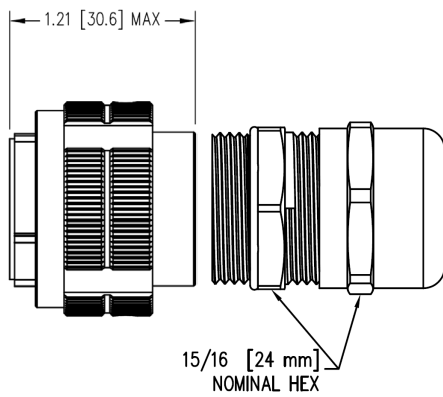
Recommended Panel Dimensions

| Panel Mounting Side | "A" Diameter Inches [mm] |
|----------------------------------------------------------------|--------------------------|
| Front | 1.016 [25.81] |
| Rear | 1.219 [30.96] |
| If Back Shell is Used When Front Mounting, "A" = 1.219 [30.96] | |

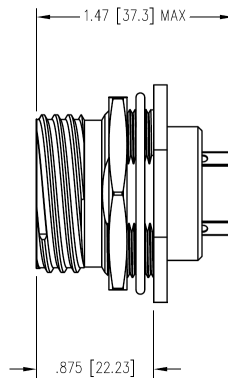


***For Information on Size 19 Panel Dimensions, Contact Factory**

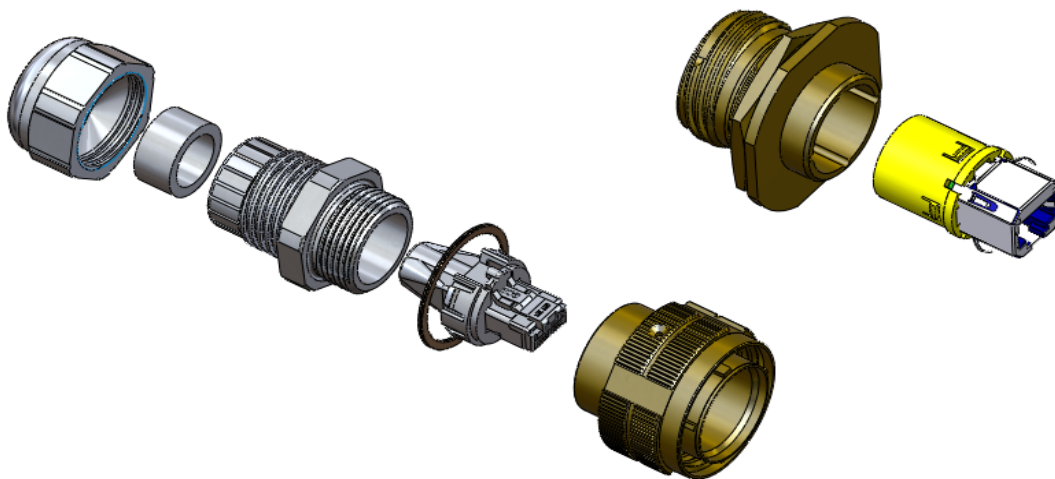
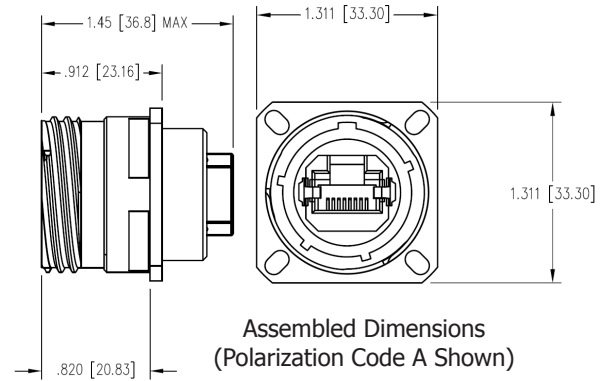
Plug



Receptacle

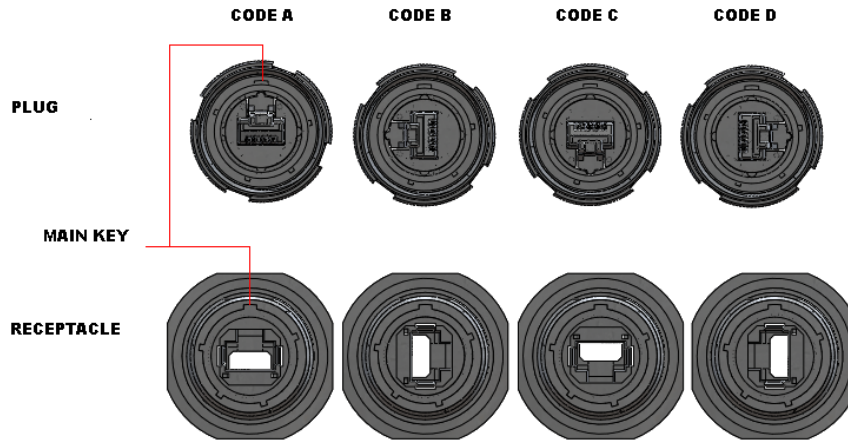


Square Flange Receptacle



INSERTS CODING

CONNECTION SIDE VIEW



How to Order Stewart Connector's RJ45 D38999, Series S-RJFTV

| | | | | | | | | |
|------------------------------------------------------|---------------------------------------------------------------------------------------------------------------------------------------------------------------------------------------------------------------------------------------------------------------------------------------------------------------------------------------------------------------------------------------------------|----|----|----|---|---|----|------|
| Series | S-RJFTV | 5E | 17 | 06 | 1 | G | 03 | K123 |
| RJ45 38999 series III | | | | | | | | |
| Performance | 5E - Suited for 10 BaseT, 100 BaseT, 1G BaseT | | | | | | | |
| Shell size | 17 - Size 17 19 - Size 19 | | | | | | | |
| Shell Type | 02 - Receptacle, square flange 02BS - Receptacle, square flange, IP68 backshell, plastic gland 02BSM - Receptacle, square flange, IP68 backshell, metal gland 06P - Plug, straight, plastic gland 06M - Plug, straight, metal gland 07 - Receptacle, jamnut 07BS - Receptacle, jamnut, IP68 backshell, plastic gland 07BSM - Receptacle, jamnut, IP68 backshell, metal gland | | | | | | | |
| Back end termination (omit for shell type 06) | 1 - RJ45, Female, Straight | | | | | | | |
| Shell material and plating | G - Aluminum shell, olive drab plating N - Aluminum shell, nickel plating (RoHS) SS - Stainless steel, passivated (RoHS) BZ - Marine bronze (RoHS) | | | | | | | |
| Cordset length | 03 - 0.3 meter 05 - 0.5 meter 10 - 1.0 meter 15 - 1.5 meter | | | | | | | |
| Modification code | | | | | | | | |



Stewart Connector
 11118 Susquehanna Trail South
 Glen Rock, PA 17327 USA

+1 717.235.7512
 techhelp@belf.com
stewartconnector.com