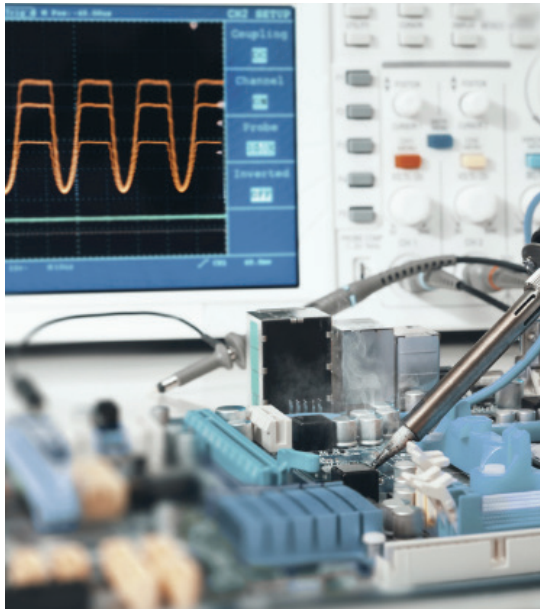




# JOHNSON

## Ganged Board to Board SMP Connector & Cable Assembly Solutions



**cinch**  
CONNECTIVITY SOLUTIONS  
a bel group

[belfuse.com/cinch](http://belfuse.com/cinch)

# CUSTOM RF SOLUTIONS

Cinch Connectivity Solutions' SMP Ganged and Board to Board RF Connector Solutions. Our SMP Product Family is launching a standard offering of a 4 port board to board solution, which can also be configured as a cable assembly to a ganged connector offering. The 4 port version can be optimized and customized to meet customers' needs for number of ports, board spacing, connector separation spacing, and cable type/lengths, etc.

## Applications

- Networking router and switches
- Test and Measurement rack system
- Instrumentation Test Fixture Equipment
- Semiconductor ATE Test Boards
- Wireless Infrastructure Antenna Systems
- Radar Systems

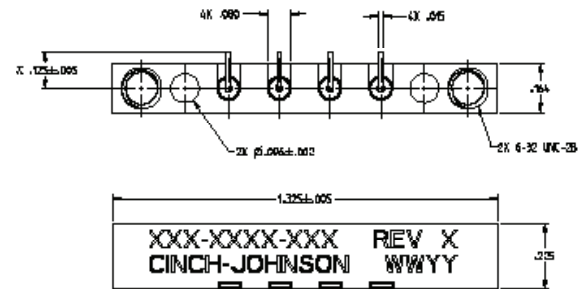
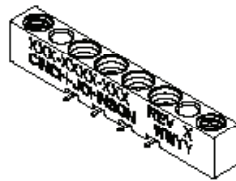
## Features

- Mating force spec 15 lbs engagement/ 5 lbs disengagement per SMP Full Detent specs, complies with MIL-STD-348A SMP specifications.
- Frequency range: DC to 40 GHz
- 50 ohms, Beryllium Copper or Stainless Steel
- Scalable & cost effective up to 8 ports with one or two rows

## CONNECTORS

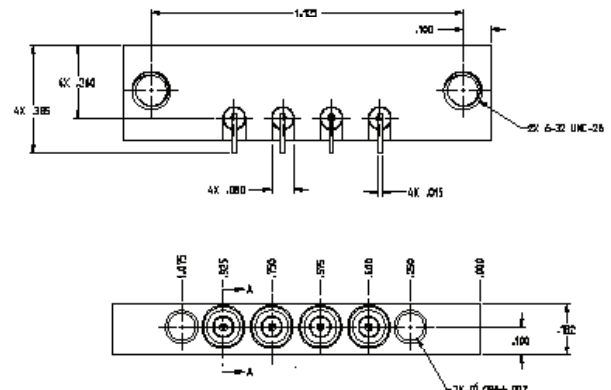
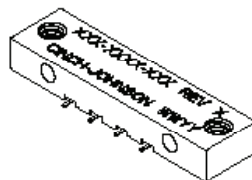
### Male, Full Detent, Vertical PCB Surface Mount

Part Number	Description				
127-0711-221	Male	Full Detent	Vertical PCB Surface Mount	SMP	4 Position



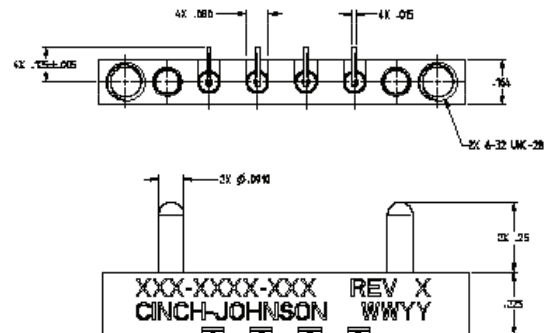
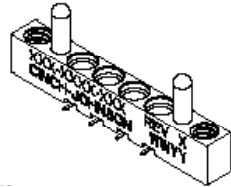
### Male, Full Detent, Right Angle PCB Surface Mount

Part Number	Description				
127-0711-321	Male	Full Detent	Right Angle PCB Surface Mount	SMP	4 Position



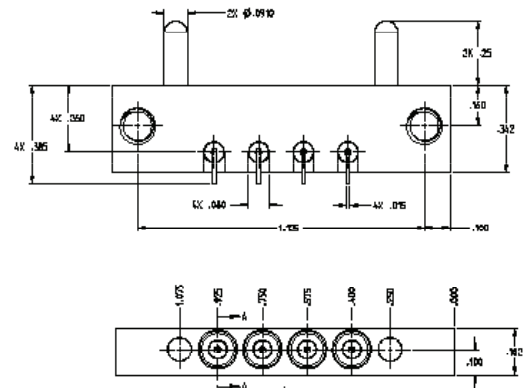
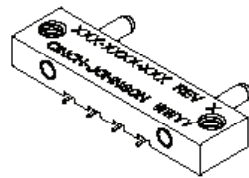
## Male, Smooth Bore/Limited Detent, Vertical PCB Surface Mount

Part Number	Description				
127-2711-221	Male	Smooth Bore	Vertical PCB Surface Mount	SMP	4 Position
127-1721-221	Male	Limited Detent	Vertical PCB Surface Mount	SMP	4 Position



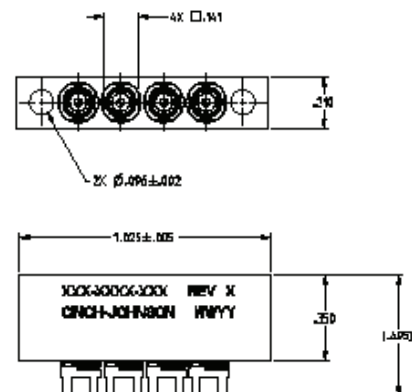
## Male, Smooth Bore/Limited Detent Right Angle PCB Surface Mount

Part Number	Description				
127-2711-321	Male	Smooth Bore	Right Angle PCB Surface Mount	SMP	4 Position
127-1721-321	Male	Limited Detent	Right Angle PCB Surface Mount	SMP	4 Position



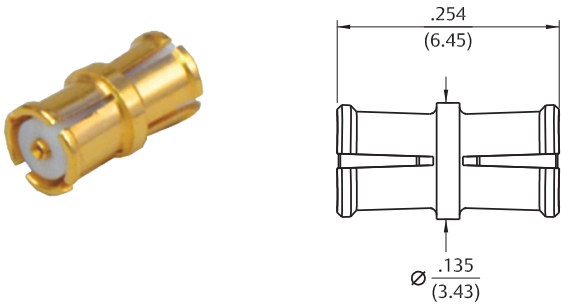
## Male, Full Detent, Cabled

Part Number	Description				
127-0593-011	Male	Full Detent	Cabled	SMP	4 Position



# Female to Female Bullet Adapter

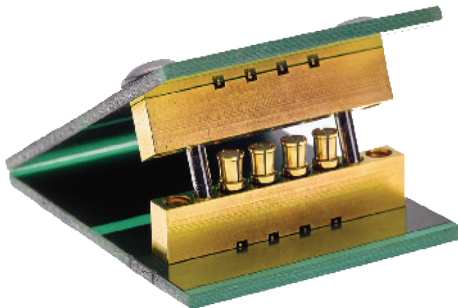
Part Number	Description			
127-0901-801	Female to Female	Bullet Adapter	SMP	0.254"



## CONFIGURATIONS

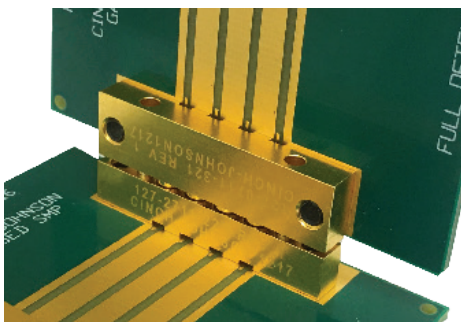
### Stacked Vertical PC SMT SB or LD to a Vertical PCB SMT FD

(0.484" spacing – fully mated)



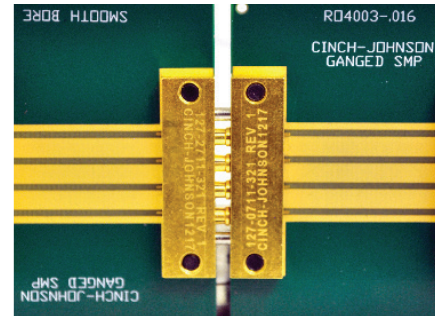
### Coplanar Vertical PC SMT SB or LD to a Right Angle PCB SMT FD

(0.259" spacing – fully mated)



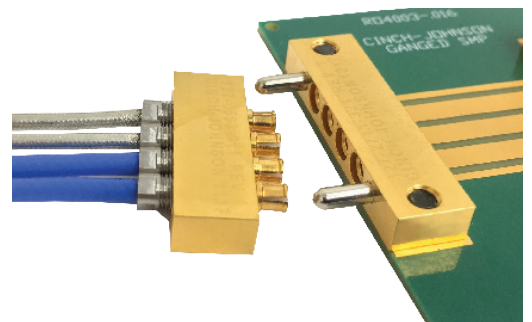
### Orthogonal Right Angle PC SMT SB or LD to a Right Angle PCB SMT FD

(0.034" spacing – fully mated)



### Right Angle PC SMT SB or LD to a Straight Cable Mount FD

(0.034" spacing – fully mated)



Asia Pacific  
+86 21 5442 7668  
ccs.asia.sales@as.cinch.com

Europe, Middle East & Africa  
+44 (0) 1245 342060  
CinchConnectivity@eu.cinch.com

North America  
+1 507.833.8822  
ccsorders@us.cinch.com  
[belfuse.com/cinch](http://belfuse.com/cinch)